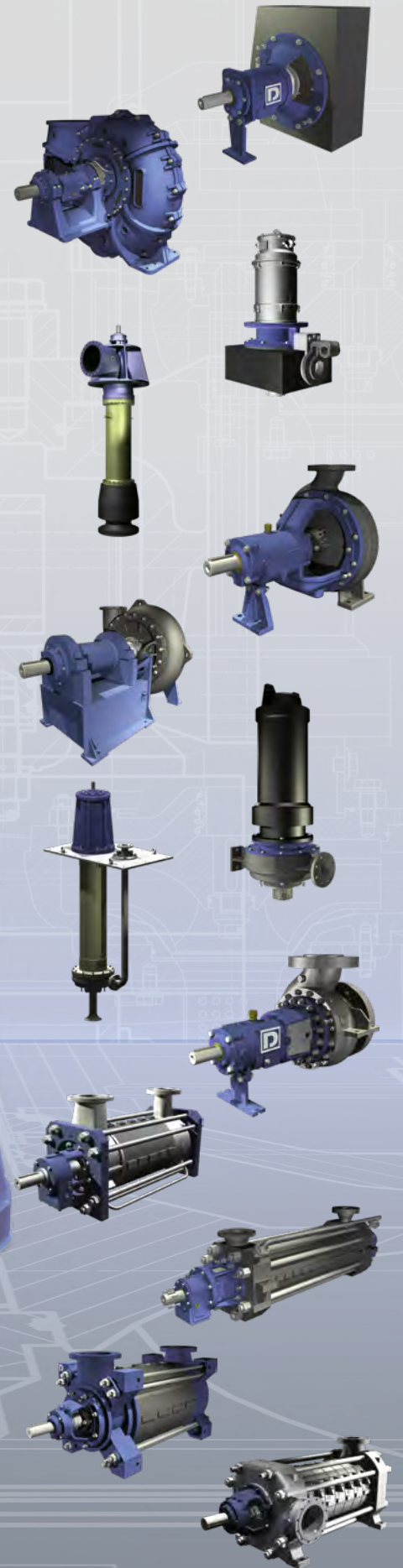




**DÜCHTING**  
**PUMPEN**

# Product **PORTFOLIO**



MAX. FLOW	MAX. PRESSURE	MAX. DENSITY	PH - VALUE	MAX. PARTICLE SIZE	MATERIAL	TYPE
1500 m <sup>3</sup> /h (6600 gpm)	10 bar (150 PSI)	1,700 g/l	0 - 13	2 mm (0,08 inch)	SICast <sup>®</sup>	MC
20000 m <sup>3</sup> /h (88000 gpm)	6 bar (90 PSI)	1,700 g/l	0 - 13	2 mm (0,08 inch)	SICast <sup>®</sup>	MCC
320 m <sup>3</sup> /h (1400 gpm)	10 bar (150 PSI)	1,700 g/l	0 - 13	2 mm (0,08 inch)	SICast <sup>®</sup>	MCS
12500 m <sup>3</sup> /h (55000 gpm)	8 bar (120 PSI)	1,700 g/l	0 - 13	2 mm (0,08 inch)	SICast <sup>®</sup>	MCV
12000 m <sup>3</sup> /h (52800 gpm)	16 bar (230 PSI)	1,700 g/l	0 - 14	100 mm (4 inch)	Various metals	WR
4000 m <sup>3</sup> /h (17600 gpm)	16 bar (150 PSI)	2,500 g/l	0 - 14	240 mm (9 inch)	Various metals	WRX
550 m <sup>3</sup> /h (2500 gpm)	10 bar (150 PSI)	1,700 g/l	0 - 14	10 mm (0,04 inch)	Various metals	WRS
4000 m <sup>3</sup> /h (17600 gpm)	16 bar (230 PSI)	1,700 g/l	0 - 14	50 mm (2 inch)	Various metals	WRV
4200 m <sup>3</sup> /h (18500 gpm)	100/ <sup>15</sup> bar 1450/ <sup>220</sup> PSI	1,250 g/l	0 - 14	1 mm (0,04 inch)	Various metals	IP
3500 m <sup>3</sup> /h (15400 gpm)	100 bar (1450 PSI)	1,250 g/l	0 - 14	1 mm (0,04 inch)	Various metals	HPH
3500 m <sup>3</sup> /h (15400 gpm)	250 bar (3600 PSI)	1,250 g/l	0 - 14	1 mm (0,04 inch)	Various metals	HPE
2500 m <sup>3</sup> /h (11000 gpm)	40 bar (580 PSI)	1,400 g/l	0 - 14	4 mm (0,16 inch)	Various metals	HPXL
3250 m <sup>3</sup> /h (15000 gpm)	160 bar (2300 PSI)	1,400 g/l	0 - 14	4 mm (0,16 inch)	Various metals	<u>HPXU</u> <u>HPXM</u>

Company Profile

1 Quality through experience

Pump Type **MC**

2 **MC** Design

Pump Type **MCC**

6 **MCC** Design

Pump Type **MCS**

10 **MCS** Design

Pump Type **MCV**

14 **MCV** Design

The unique Material - SICcast<sup>®</sup>

18 SICcast<sup>®</sup> the Company

18 Mineral cast SICcast<sup>®</sup>

19 Comparison with Metal

19 Miller Wear Test

The entire SICcast<sup>®</sup> product spectrum

20 SICcast<sup>®</sup> PLUS

20 For repairing SIConit<sup>®</sup>

21 The entire SICcast<sup>®</sup> product spectrum

21 What can SICcast<sup>®</sup> do for you?

Pump Type **WR**

22 **WR** Design

Pump Type **WRX**

26 **WRX** Design

Pump Type **WRS**

30 **WRS** Design

Pump Type **WRV**

34 **WRV** Design

Pump Type **IP**

38 **IP** Design

Pump Type **HPH**

42 **HPH** Design

Pump Type **HPE**

46 **HPE** Design

Pump Type **HPXL**

50 **HPXL** Design

Pump Types **HPXU & HPXM**

54 **HPXU & HPXM** Design







### Quality through experience

**DÜCHTING PUMPEN** is a privately owned German company with experience in the field of advanced centrifugal pumps for use in many different industries since 1938.

Our motto “Quality Through Experience” forms the basis of our sophisticated product range. The capabilities of our company in the construction, manufacturing, testing and commissioning of our products is highly respected in the industries we serve.

Our reputation is based on a sustainable company policy, focusing on efficiency, reliability, innovation and thorough customer after-sales service which is provided by partners in the countries where our products are installed.

In order to meet the current demand for highly efficient and reliable products in seawater desalination, DÜCHTING PUMPEN offers optimized high-pressure pumps and energy recovery turbine units. To minimize total energy costs in high pressure seawater desalination plants, we are at your service during both design and operation.



For a digital overview visit  
[www.DUECHTING.com](http://www.DUECHTING.com)





Mineral cast pump

## TYPE MC

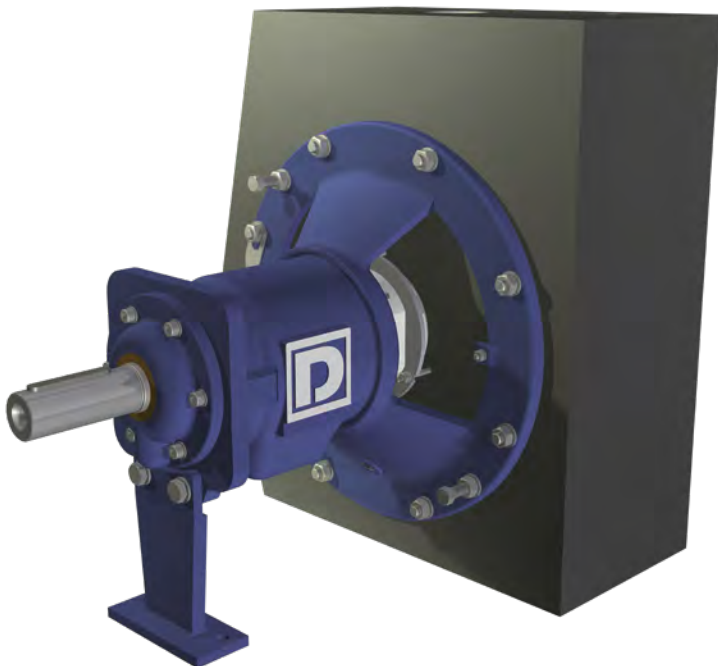
Extremely high abrasion and corrosion resistant.

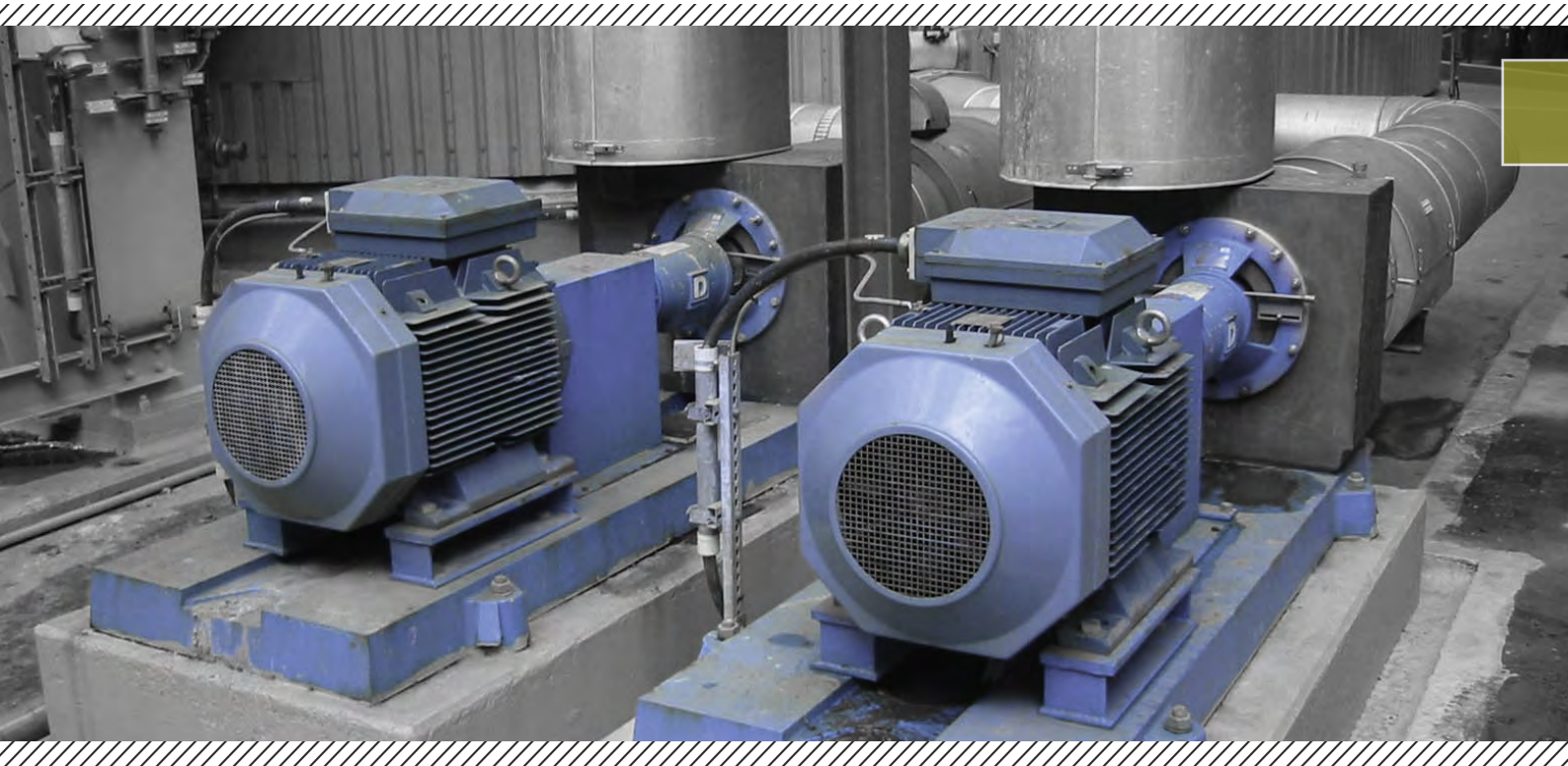


### MC Design

Horizontal single-stage centrifugal pump in back pullout design.

- Pumping of abrasive and corrosive liquids
- All components which are in contact with the liquid are made of SICcast<sup>®</sup>
- Suction flange: Axial
- Discharge flange: Top (Vertical)
- Open or closed impeller with spatially curved vanes
- Impeller is key driven; reverse rotation (e.g. back-flushing) is possible
- Re-adjustable inclined gap between impeller and volute casing to optimize the efficiency and differential pressure after longer operation
- Single acting, metal free mechanical seal DÜTEC<sup>®</sup> with springs located outside of the liquid (other seal types available)
- Oil-lubricated antifriction bearings
- Back pullout design (the complete rotating assembly can be removed while the casing remains on its position)
- In many applications the wear life of SICcast<sup>®</sup> greatly exceeds conventional materials
- Available with heavy-duty bearing units for extreme applications
- Optimized design ensures easy maintenance and long service life even under difficult conditions





## Fields of Application

Pumping of abrasive and corrosive liquids.

- Flue gas desulfurization
- Incinerators
- Pigment industry
- Chemical industry
- Water treatment
- Seawater desalination
- Fertilizer industry / Potash industry

## Materials

<b>Volute casing:</b>	SICcast <sup>®</sup>
<b>Impeller:</b>	SICcast <sup>®</sup>
<b>Shaft:</b>	1.4462
<b>Mechanical seal:</b>	Silicon carbide (SiC)

## Technical Data

<b>Pump Size:</b>	<b>DN 32 to DN 300</b> (1 1/4" to 12")
<b>max. Pressure:</b>	<b>10 bar (150 PSI)</b>
<b>max. Flow:</b>	<b>1500 m<sup>3</sup>/h (6600 gpm)</b>
<b>Total head:</b>	<b>up to 90 m (300 ft)</b>
<b>Rotating Speed:</b>	<b>up to 3600 rpm</b>





### Casing Cover

Made of SICcast<sup>®</sup> mineral cast.

### Impeller

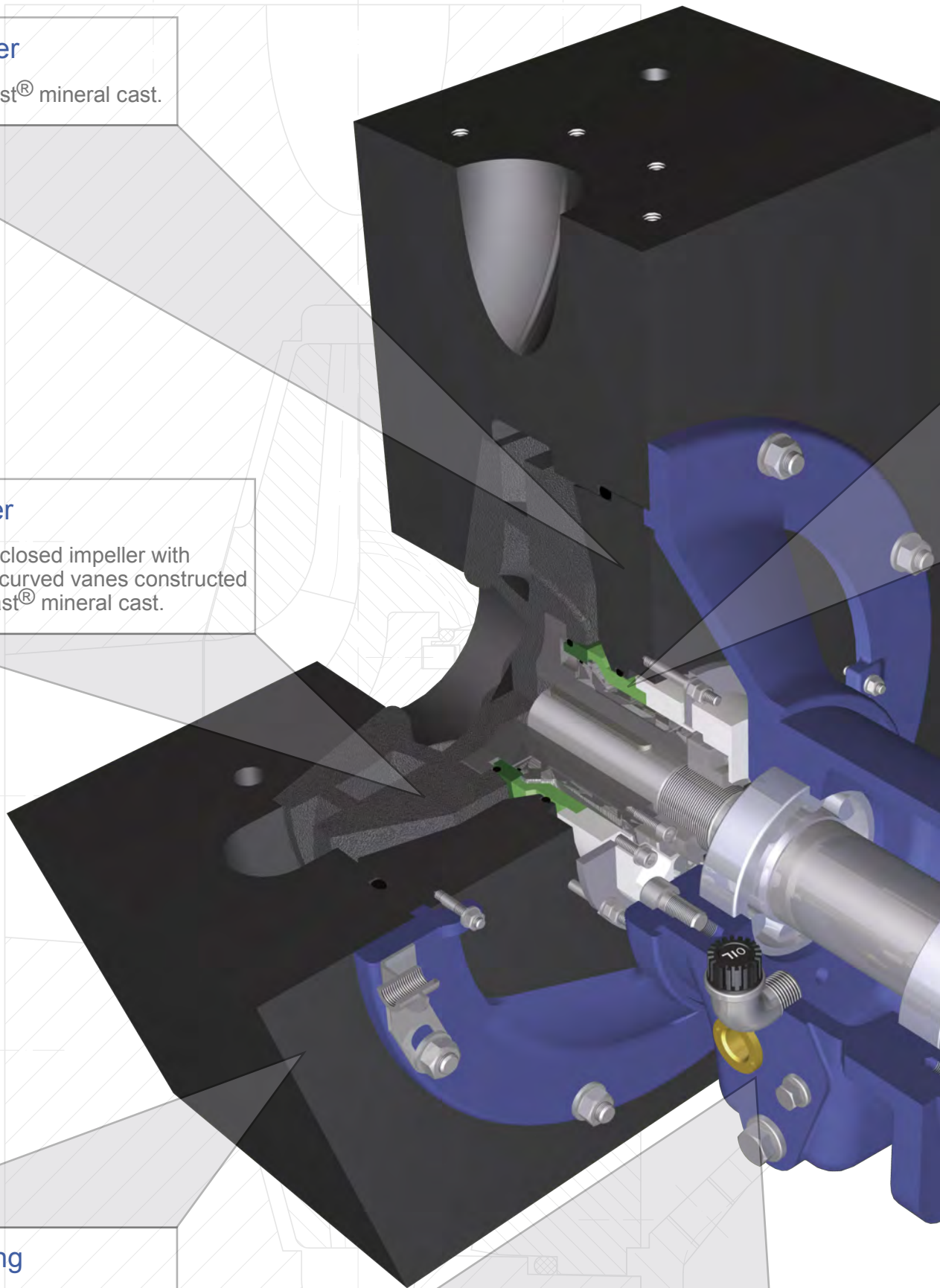
Open or closed impeller with spatially curved vanes constructed in SICcast<sup>®</sup> mineral cast.

### Volute Casing

Made of SICcast<sup>®</sup> mineral cast.  
Flat face flanges.  
Unique block design.  
Drain connection available.

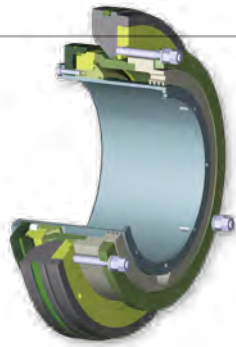
### Bearing Housing

Designed to guarantee the continuous bearing lubrication.  
Provided with oil level indicator.



### DÜTEC®

Proprietary single acting mechanical seal DÜTEC®. The pressure springs arranged outside the space exposed to the liquid.

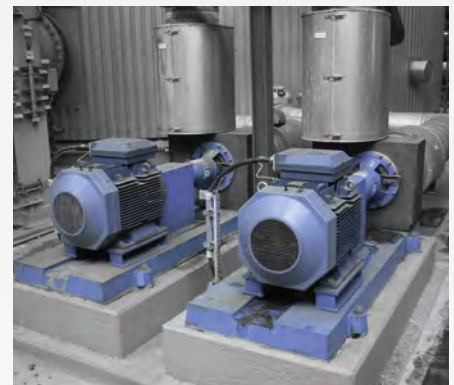


### Rotor

Back pullout design to expedite the maintenance work.

### Bearings

Oil lubricated antifriction bearings. Cast iron bearing housing provided with maintenance free labyrinth seals to avoid oil leakages.





Mineral cast pump

## TYPE MCC

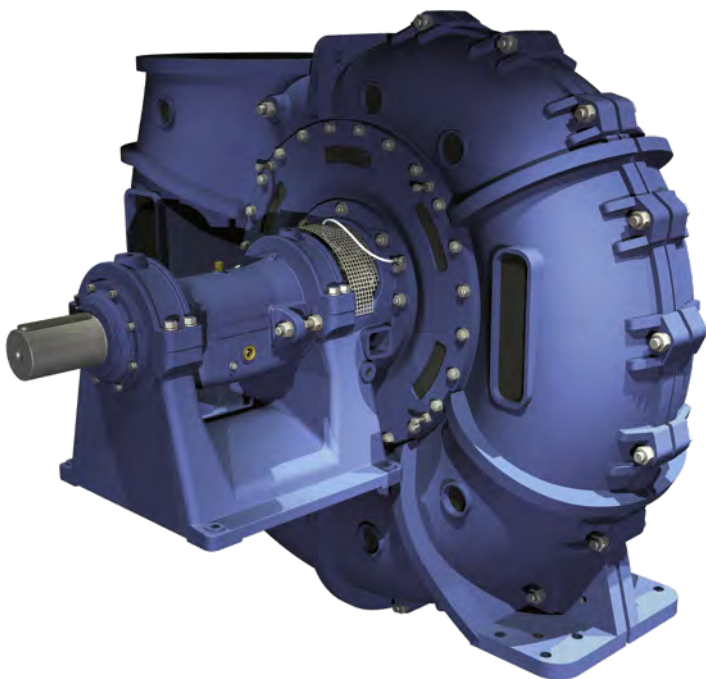
Extremely high abrasion and corrosion resistant.



### MCC Design

Horizontal single-stage centrifugal pump in back pullout design.

- Pumping of abrasive and corrosive liquids
- All components which are in contact with the liquid are made of SICcast®
- Suction flange: Axial
- Discharge flange: Top (Tangential)
- Closed impeller with spatially curved vanes
- Impeller is key driven; reverse rotation (e.g. back-flushing) is possible
- Re-adjustable inclined gap between impeller and wear plate to optimize the efficiency and differential pressure after longer operation
- Single acting, metal free cartridge mechanical seal DÜTEC®-C with springs located outside of the liquid
- Durable, oil-lubricated roller bearings
- Back pullout design (the complete rotating assembly can be removed while the casing remains on its position)
- In many applications the wear life of SICcast® greatly exceeds conventional materials
- The patented design allows the production of extremely large pumps at low costs
- Currently, the most advanced and most durable technology for FGD absorber recirculation pumps





## Fields of Application

Pumping abrasive and / or corrosive liquids.

- Flue gas desulfurization
- Incinerators
- Water treatment
- Seawater desalination

## Materials

<b>Volute casing:</b>	SICcast <sup>®</sup> / EN-GJS-400-15 (GGG40)
<b>Impeller:</b>	SICcast <sup>®</sup>
<b>Wear plate:</b>	SICcast <sup>®</sup>
<b>Shaft:</b>	1.0503 (C45)
<b>Shaft sleeve:</b>	1.4301 (1.4462)
<b>Mechanical seal:</b>	Silicon carbide (SiC)

## Technical Data

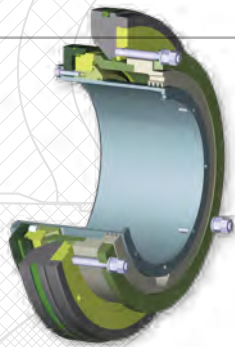
<b>Pump Size:</b>	<b>DN 400 to DN 1000</b> (16" to 40")
<b>max. Pressure:</b>	<b>6 bar (90 PSI)</b>
<b>max. Flow:</b>	<b>20000 m<sup>3</sup>/h</b> (88000 gpm)
<b>Total head:</b>	<b>up to 40 m (130 ft)</b>
<b>Rotating Speed:</b>	<b>up to 1200 rpm</b>



## DÜTEC® - C

The cartridge mechanical seal DÜTEC®-C consists of a rotating and a stationary unit which are assembled separately.

This derivative of the established DÜTEC® mechanical seal was especially geared towards this pump series and for the conveyance of corrosive and abrasive liquids.

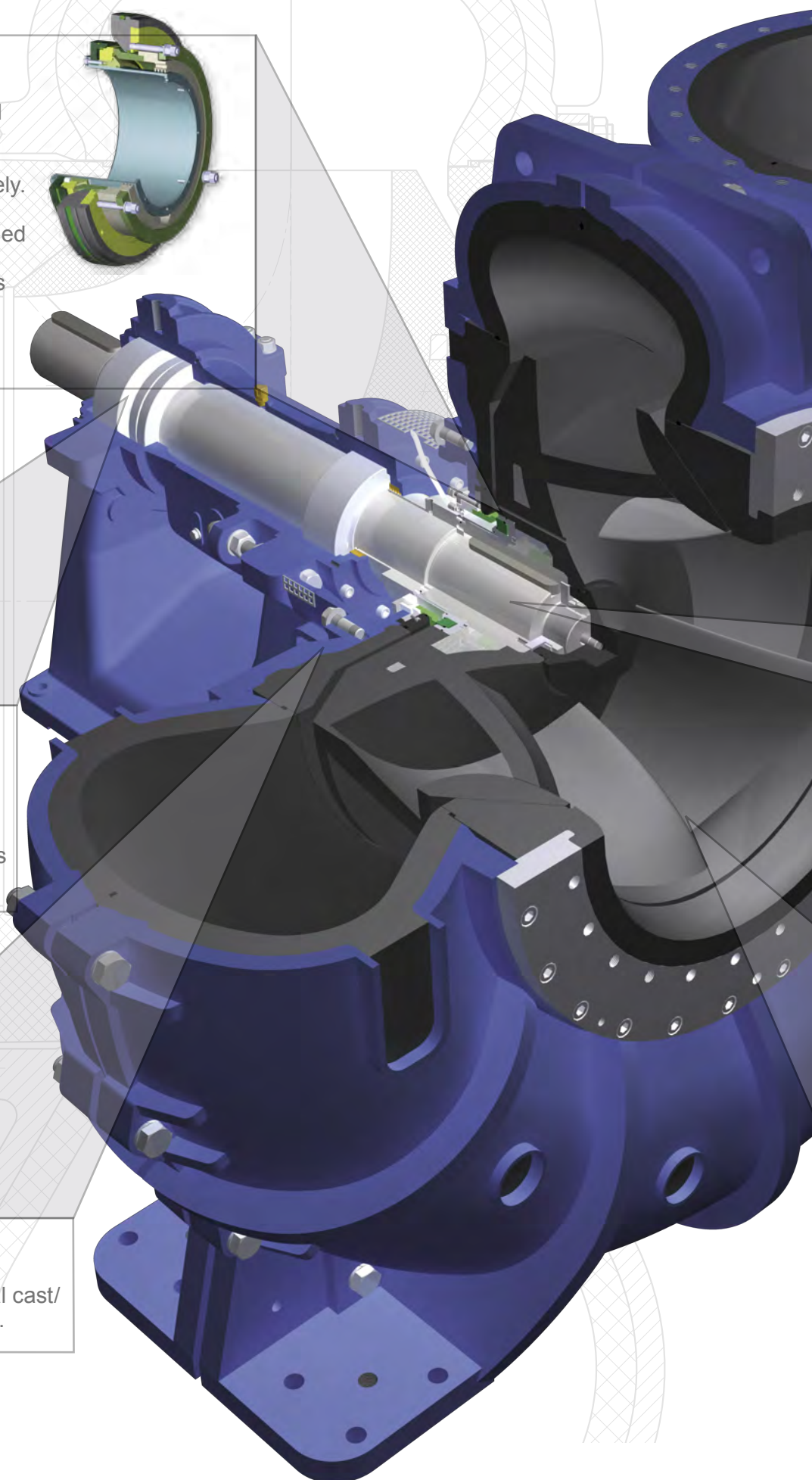


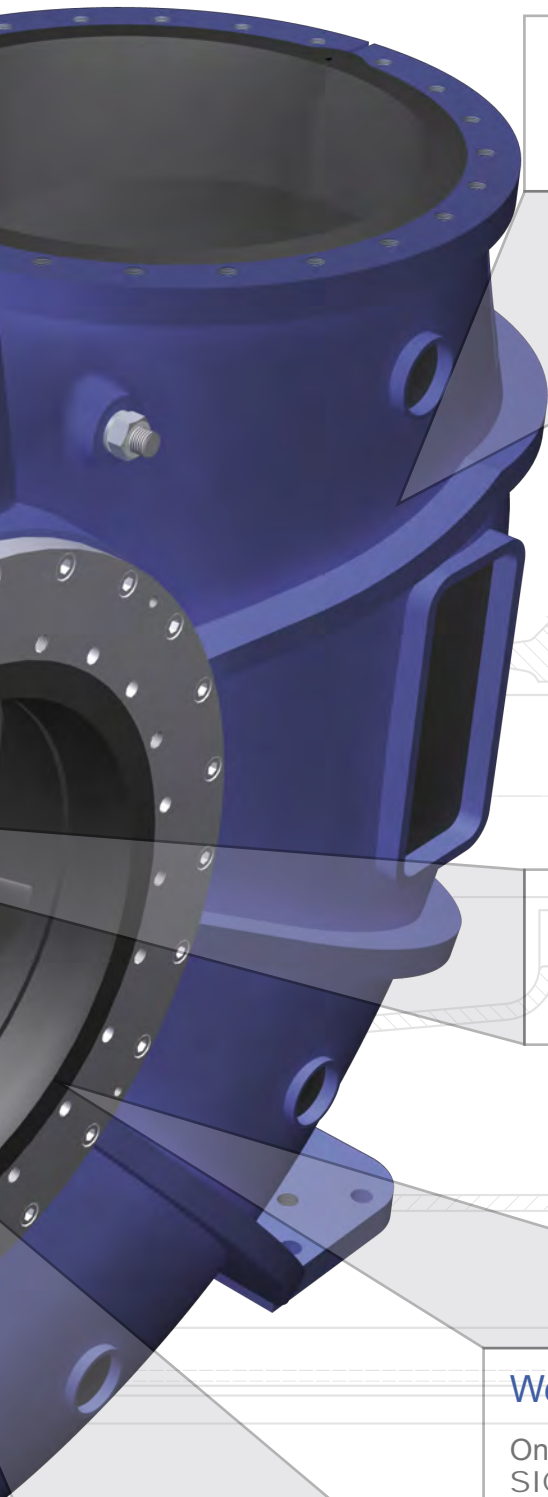
## Bearings

Oil lubricated antifriction bearings. Cast iron bearing housing provided with maintenance free labyrinth seals to avoid oil leakages.

## Casing Cover

Made of SICcast® mineral cast/ EN-GJS-400-15 (GGG40).





### Volute Casing

Made of SICcast<sup>®</sup> mineral cast/  
EN-GJS-400-15 (GGG40).

### Rotor

Back pullout design to expedite  
the maintenance work.

### Wear Plate

On suction side made of  
SICcast<sup>®</sup> mineral cast with an  
inclined gap adjustable in axial  
direction.

### Impeller

Closed impeller with spatially  
curved vanes constructed in  
SICcast<sup>®</sup> mineral cast.





Submersible mineral cast pump

## TYPE MCS

Extremely high abrasion and corrosion resistant.

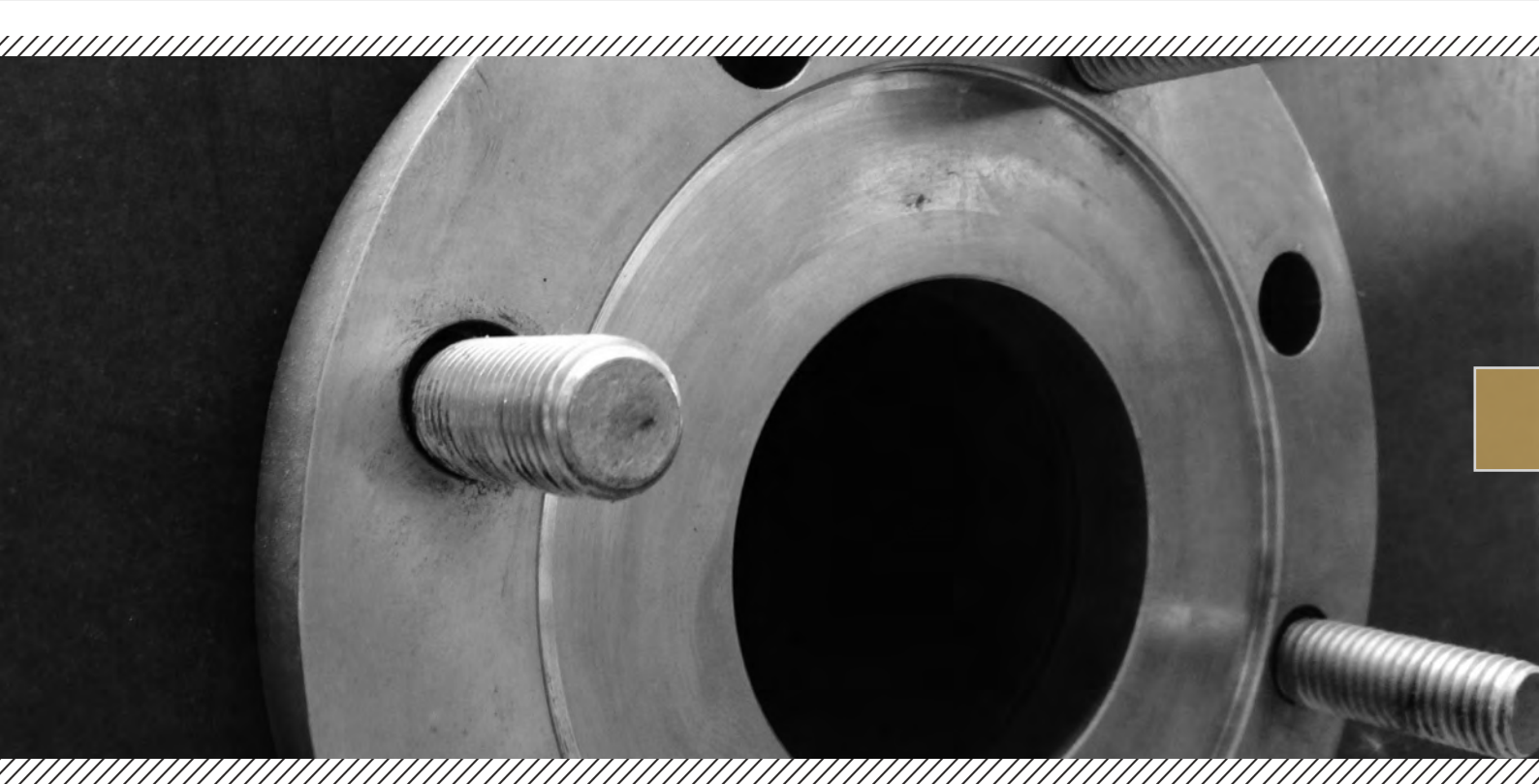


### MCS Design

Submersible single-stage centrifugal pump.

- Pumping of abrasive and corrosive liquids
- All hydraulic components which are in contact with the liquid are made of SICcast®
- Suction flange: Vertical (including suction strainer)
- Discharge flange: Radial
- Open or closed impeller spatially curved vanes
- Dual mechanical seal arrangement with a pump side bellow seal.
- Moisture sensor in an oil reservoir between pump and motor
- Stainless steel submersible three-phase motor (IP68)
- Optimized design ensures easy maintenance and long service life even under difficult conditions





## Fields of Application

Handling of abrasive and corrosive liquids.

- Flue gas desulfurization
- Chemical industry
- Water treatment
- Seawater desalination
- Fertilizer industry / potash industry

## Materials

<b>Volute casing:</b>	SICcast <sup>®</sup>
<b>Impeller:</b>	SICcast <sup>®</sup>
<b>Shaft:</b>	1.4462
<b>Mechanical seal:</b>	Silicon carbide (SiC)

## Technical Data

<b>Pump Size:</b>	<b>DN 32 to DN 150</b> (1 ¼" to 6")
<b>max. Pressure:</b>	<b>10 bar (150 PSI)</b>
<b>max. Flow:</b>	<b>320 m<sup>3</sup>/h (1400 gpm)</b>
<b>Total head:</b>	<b>up to 90 m (295 ft)</b>
<b>Rotating Speed:</b>	<b>up to 3600 rpm</b>





**Motor**

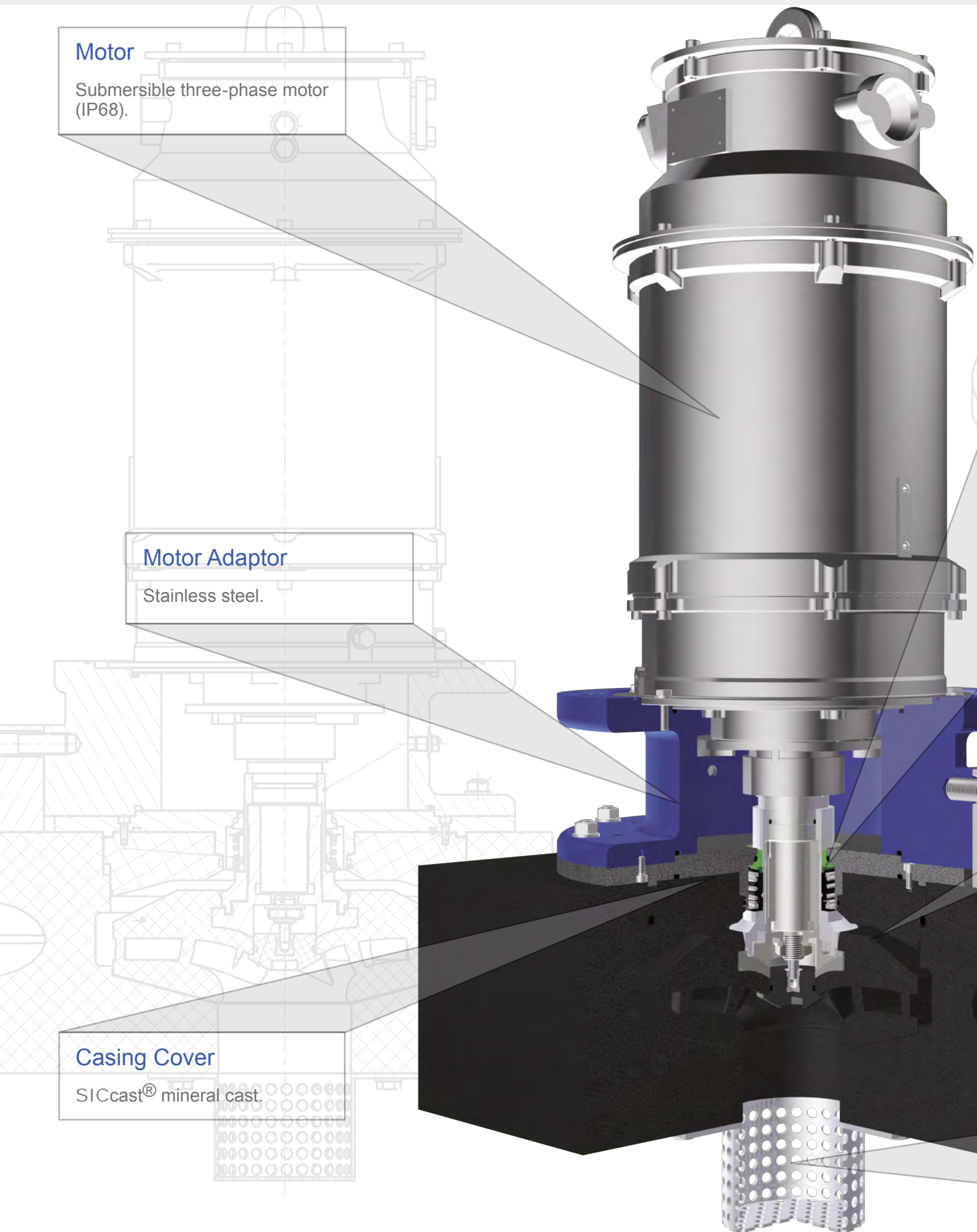
Submersible three-phase motor  
(IP68).

**Motor Adaptor**

Stainless steel.

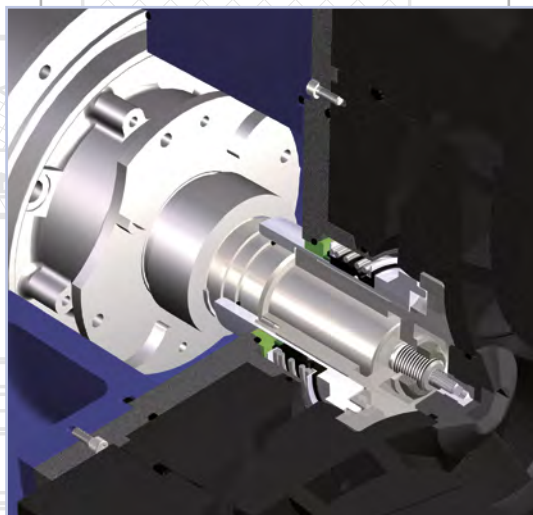
**Casing Cover**

SICcast<sup>®</sup> mineral cast.



### Impeller

Open or closed impeller with spatially curved vanes made of SICcast® mineral cast.



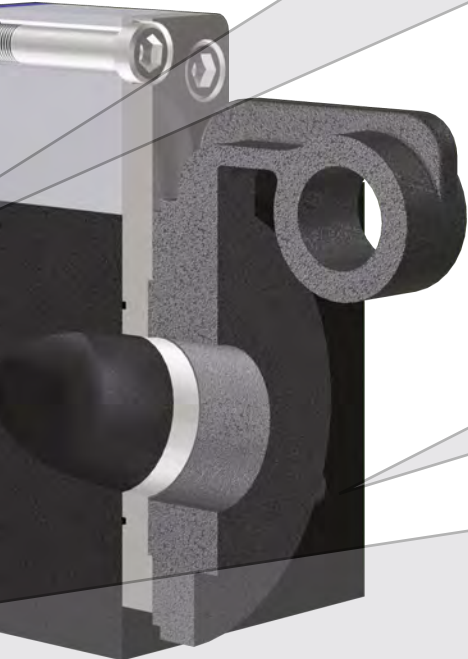
### Double acting mechanical seal

Double acting mechanical seal arrangement with a pump side bellow seal.



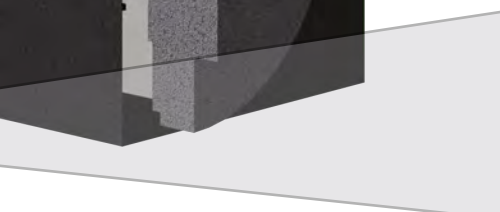
### Volute Casing

SICcast® mineral cast.



### Strainer

Suction side strainer protect the pump from entry of large particles.





Vertical turbine pump

## TYPE MCV

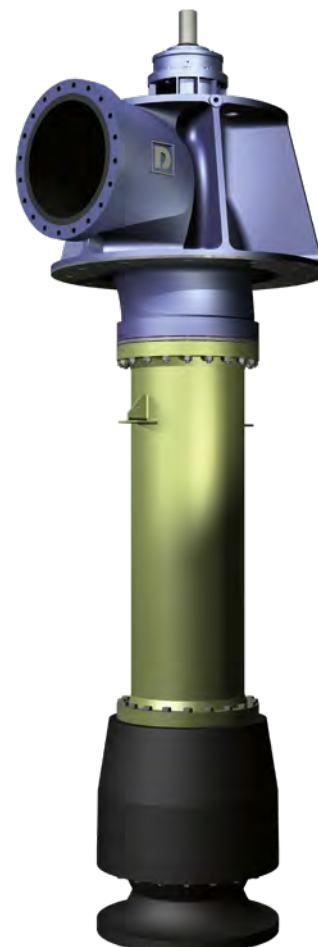
Made of corrosion resistant materials.

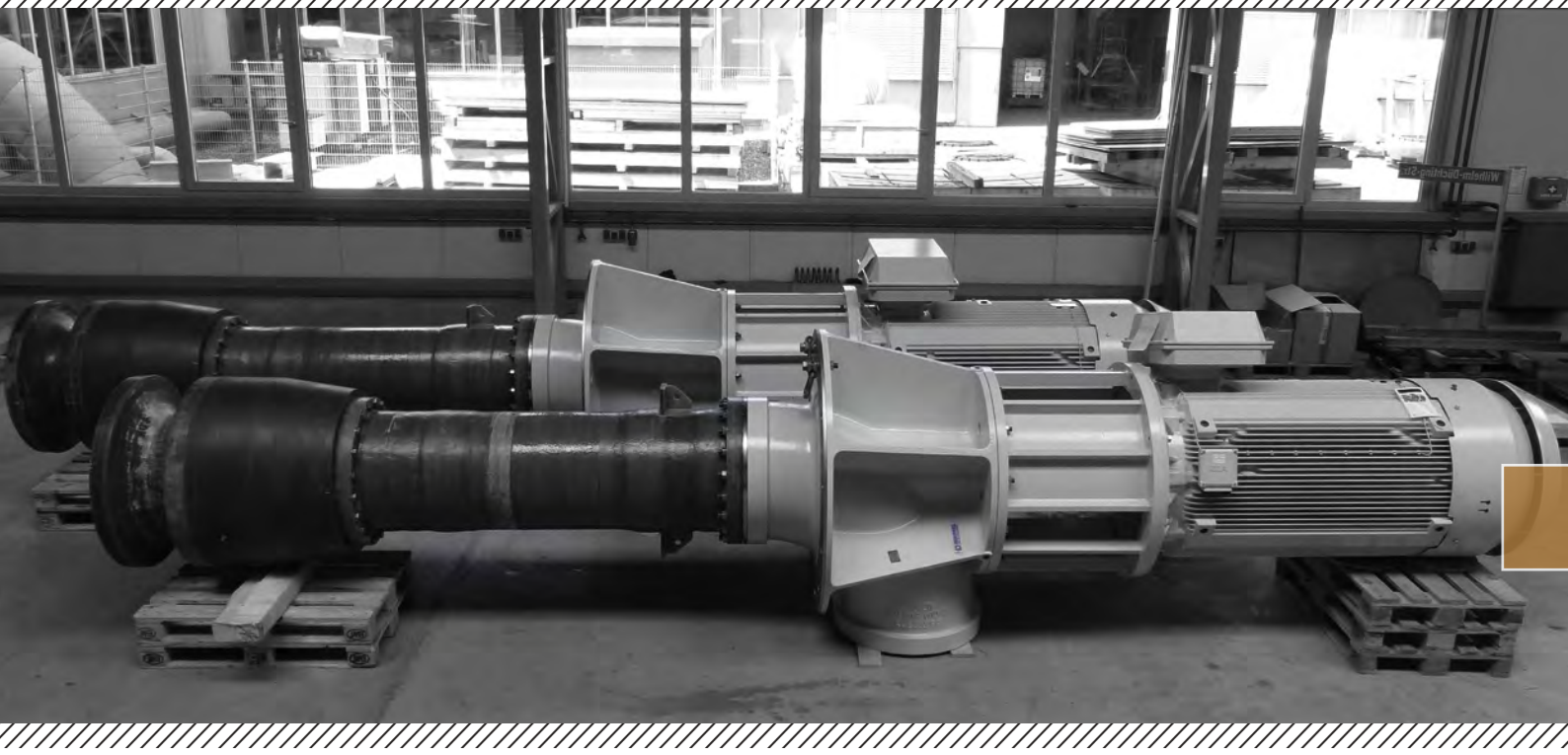


### MCV Design

Single-stage vertical centrifugal sleeve-bearing pump.

- Handling of abrasive and corrosive liquids
- Vertical mixed flow pump designed for desalination plants to work as intake pump
- Suitable for a wide flow range
- Suction flange: vertical
- Discharge flange: radial
- SICcast<sup>®</sup> - inlet housing and diffuser withstand hard particles
- Shaft sealing by a single acting mechanical seal
- Polygon sleeve bearings support long shafts and protect against vibration. Radial bearings made of SiC on SiC
- The modular design makes it possible to produce extremely large pumps at low costs





## Fields of Application

Handling of abrasive and corrosive liquids.

- Seawater intake
- Water treatment plants
- Cooling in power plants
- Salt water applications

## Materials

All wetted parts (except shaft) are made of metal free materials to avoid corrosion totally.

Different shaft materials available according to the application requirements.

All hydraulic parts and the discharge bend are manufactured in SICcast<sup>®</sup>. Anti-corrosion lifetime guarantee for all SICcast<sup>®</sup> parts in seawater applications.

## Technical Data

<b>Pump Size:</b>	<b>DN 150 to DN 1000</b> (6" to 40")
<b>max. Pressure:</b>	<b>8 bar (120 PSI)</b>
<b>max. Flow:</b>	<b>12500 m<sup>3</sup>/h</b> (55000 gpm)
<b>Total head:</b>	<b>up to 60 m (180 ft)</b>
<b>Rotating Speed:</b>	<b>up to 1800 rpm</b>



### Inlay

Discharge bend fully lined with SICcast® - minimises abrasion and maximises corrosion resistance.

### Intermediate / Riser Pipe

Modular design of shaft and rising main provides flexibility in length.

### Bowl with Guide Vanes

made of SICcast® - resistant to hard particles.

310.1  
904.1

210.1

902.5

920.5  
554.5

862

912.2

901.6

920.6

554.6

940.3

310.2

904.2

901.7

920.7

554.7

902.8

920.8

554.8

940.4

112

230

260

383

711

940

711.3

210

383

711.3

940

310

921.2

931.2

554.10

### Motor Connection

Flexible connection for different motor sizes.

### Bearing

Reliable thrust bearing. The lubrication system ensures a long bearing life time. Single acting mechanical seal by standard, gland packing also available.

### Radial Bearing

Optimized shaft guidance for minimized vibrations.

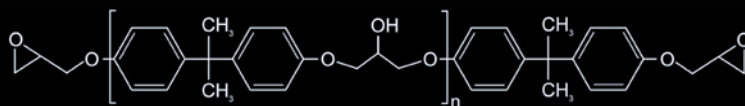
### Impeller

SICcast® mineral cast mixed flow impeller with spatially curved vanes, optimized to efficiency. Keyed to the shaft and bolted from the bottom. Additional radial bearing close to the impeller.





Silicon carbide



Epoxy resin



Polished section scale 500:1



**SICcast®**

1. Bonding Agent
2. Bonding Agent that has penetrated into a SiC grain
3. ground, polished SiC grain

## SICcast® the Company

Established in the mid-nineties, SICcast® is growing together with our customers.

Started with the casting of several pump parts for the MC series and afterwards for the MCC series of affiliated company **DÜCHTING** pumps.

The important key feature of the material is the simultaneous resistance against corrosion and abrasion. SICcast® materials are designed for this phenomenon of erosive corrosion. On the basis of the hardness of silicon carbide, 9.7 on the Mohs' scale (hardness close to diamond) and the high filling grade of the components, it has very good results in casting new pump parts and also in coating worn spare parts.



## Mineral cast SICcast®

Hard as a Diamond.

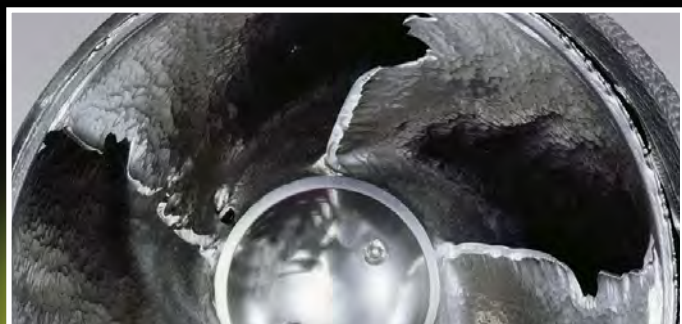
Silicon carbide (SiC) in a special mixture with Epoxy resin cast into precision moulds under vacuum. Fittings are machined with diamond tools. Thanks to the temperature-controlled casting process, parts of up to 8 tons can be cast.

This material is extremely wear resistant, temperature insensitive and shockproof. It is mainly used in heavy conditions such as in flue gas desulfurization of coal-fired power plants, incineration plants, fertilizer production, titanium dioxide and iron oxide production.



## Operational Experience

Pictures of a Duplex Stainless Steel impeller which has been replaced by a SICcast impeller.



Impeller made of Duplex Stainless Steel  
Heavy wear after 11,000 operating hours

## Advantages

- Highly wear resistant
- Fully corrosion resistant
- Easy quality control of castings
- Lower noise & vibrations compared to metal



Impeller made of SICcast®  
No wear after 24,000 operating hours

## Comparison with Metal

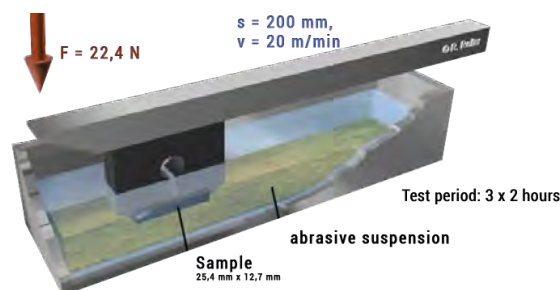
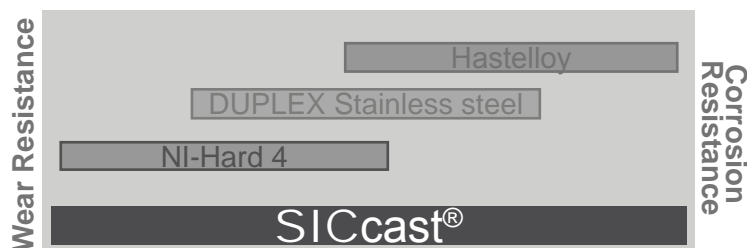
In regards of resistance, metals are only a compromise between conflicting requirements.

Having only corrosion and no abrasion, it will be also possible to use hastelloy. It's the same with abrasion only. Abrasion in a neutral medium can be done by using Ni-hard or similar.

## Miller Wear Test

Standard test method for determination of slurry abrasivity.

The Miller Number is an index of the relative abrasivity of slurries. Its primary purpose is to rank the abrasivity of slurries in terms of the wear of a standard reference material. The wear damage on the standard wear block is worse as the Miller Number gets higher.

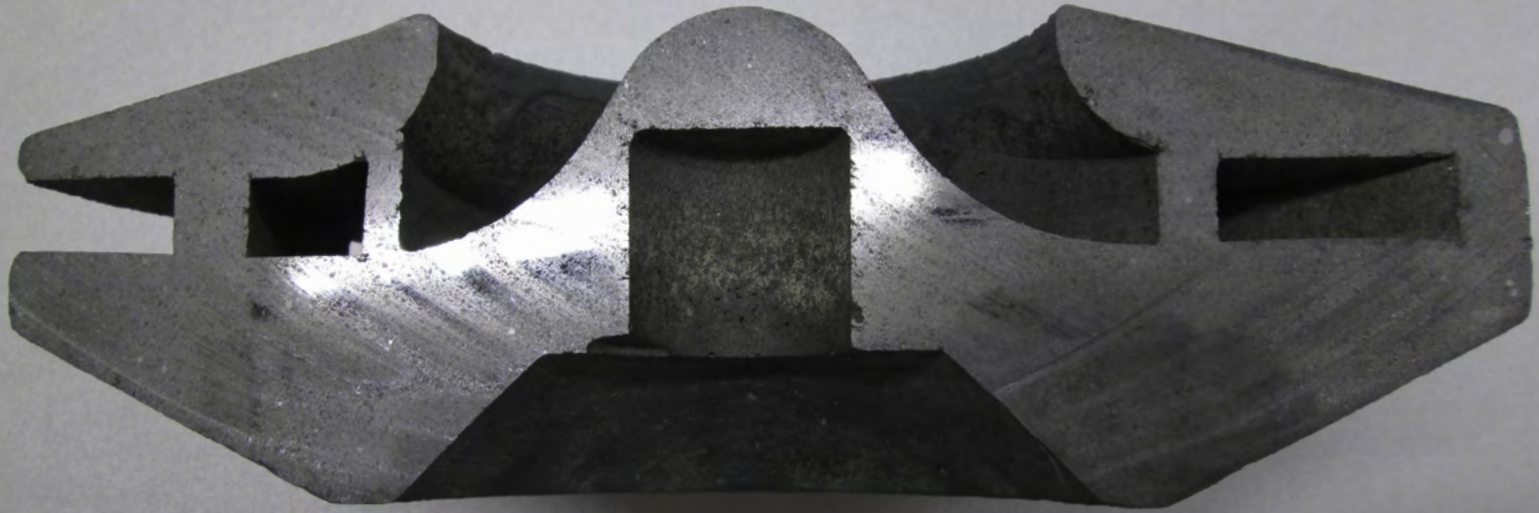


Grafik: TU Clausthal

The mineral cast from SICcast® covers both corrosion and abrasion perfectly. SICcast® materials will be very advantageous if you have solid in combination with a non-neutral medium, a leach or an acid (pH-value 0-12).

Material	Loss in weight [mg]	Loss in volume [mm <sup>3</sup> ]
SICcast EP 135	57,12	22,66
SIConit	75,13	33,10
1.4404	1.528,15	192,22
Alloy 625	1.297,16	152,66
1.4462	1.093,17	140,15
St52	1.023,48	130,38





## SICcast® PLUS

SICcast® PLUS is a silicon carbide ceramic.

Silicon carbide ceramics are used where high wear is expected and can be recommended, where difficult operating conditions - for example, chemical attack or high temperatures - are expected. The innovation in the patented SICcast® PLUS method, is the combination of SICcast® casting with the production process of silicon infiltrated silicon carbide (SiSiC).

So it is possible to manufacture SiSiC-ceramic components that are subject to shrink by only one percent more than the production chain and therefore not technically difficult to construct than metal castings. In contrast to the conventional production methods can be produced economically from SICcast® PLUS very large and complex components.

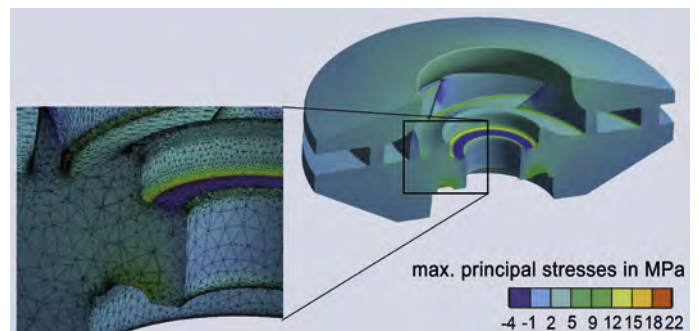
Since ceramics have different material properties than steel, for each desired component a feasibility study and a development process are required.

## For repairing SIConit®

A repairing kit with similar characteristics as SICcast®

SIConit® is a silicon carbide coating compound for the repair and protection of metallic surfaces exposed to abrasion, corrosion and acids **pH-value 0 - 12**.

SIConit® has a very high silicon carbide content for use in extremely abrasive operational conditions where complex and costly repairs are the norm. The compound can either be used to completely rebuild worn metal surfaces or be used as a preventative coating, often outperforming the original metal in terms of abrasive stability. SIConit® can be used in place of metal applications, tiling, rubber backing and other coatings.



# Hart wie Diamant Hard as a Diamond



## The SIConit® spectrum

SICcast® offers the matching SIConit® wear protection for any kind of application.

### SIConit®

- trowelable wear protection for applications

### SIConit® K

- castable wear protection

### SIConit® M

- trowelable wear protection for areas such as pores and joints

### SIConit® X

- brushable wear protection for coating metallic surfaces exposed abrasion, corrosion and acids

### SIConit® F

- brushable wear protection for coating metallic surfaces exposed to light abrasion, corrosion and acids

## What can SICcast® do for you?

You have a problem - SICcast® offers the solution.

Beside the products for DÜCHTING PUMPEN, SICcast® is supplying plug and play spare parts for other manufactures



For example

- all pump parts
- pump adapters
- nozzles
- hydrocyclones
- agitators

For detailed information visit [www.SICcast.com](http://www.SICcast.com)



Wear resistant pump

## TYPE WR

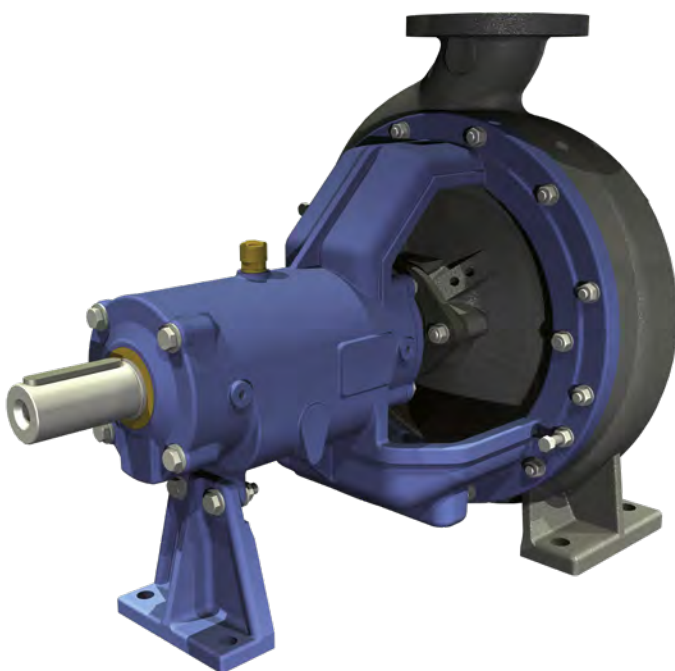
Designed to handle slurries.

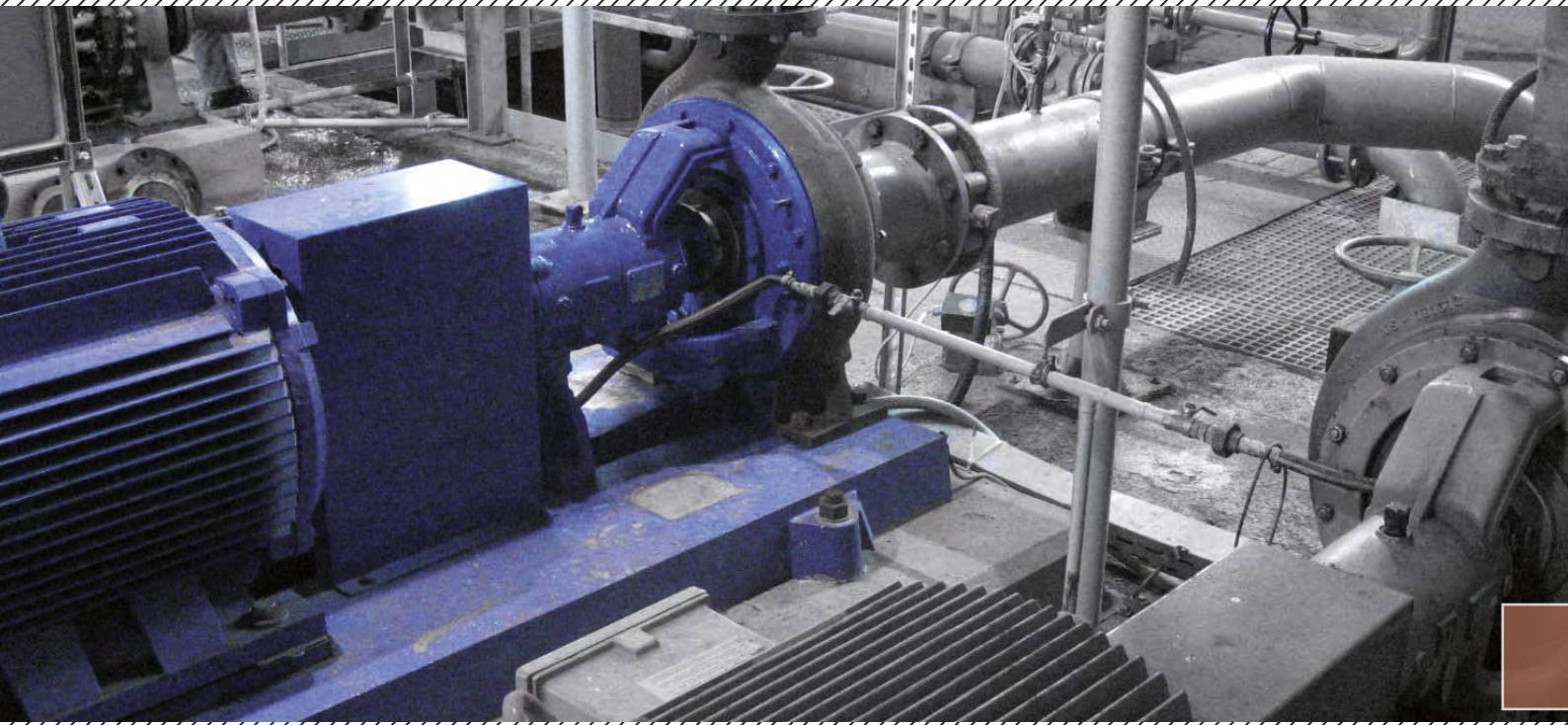


### WR Design

Horizontal single-stage centrifugal pump in back pullout design.

- Pumping of abrasive and/or corrosive liquids
- Suction flange: axial
- Discharge flange: Top (DN 32 to DN 250 vertical, from DN 300 tangential)
- Closed and open impeller available
- Impeller is keyed to the shaft; reverse rotation (e.g. back-flushing) is possible
- Re-adjustable inclined gap between the impeller and volute casing to optimize the efficiency and differential pressure for long time operation
- Shaft sealing by means of **DÜTEC**<sup>®</sup> single acting mechanical seal with external springs (gland packing and other mechanical seals available)
- Durable, oil-lubricated roller bearings
- Back pullout design (the complete rotating assembly can be removed while the casing remains on its position)
- Optimized design ensures easy maintenance and long service life even under difficult conditions
- Direct or belt driven
- Different arrangements available





## Fields of Application

Handling of high-temperature slurries and abrasive/corrosive liquids.

- Flue gas desulfurization (lime / gypsum slurries)
- Cleaning equipment for heat exchangers
- Construction industry (cement-water mixture)
- Potash industry (caustic potash solution, mixed salts/brine)
- Fertilizer Industry
- Mineral processing and refining

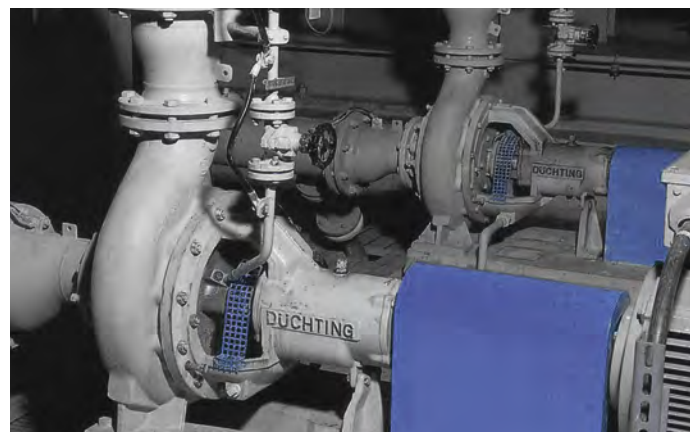
## Materials

Available in almost any metal from cast iron to SUPER DUPLEX stainless steel.

The materials are carefully selected depending on the application, the pumped liquid and the combinations of materials adapted to the respective conditions of use.

## Technical Data

<b>Pump Size:</b>	<b>DN 32 to DN 800</b> (1 1/4" to 32")
<b>max. Pressure:</b>	<b>16 bar (230 PSI)</b>
<b>max. Flow:</b>	<b>12000 m<sup>3</sup>/h</b> (52800 gpm)
<b>Total head:</b>	<b>up to 120 m (395 ft)</b>
<b>Rotating Speed:</b>	<b>up to 3600 rpm</b>



### Bearings

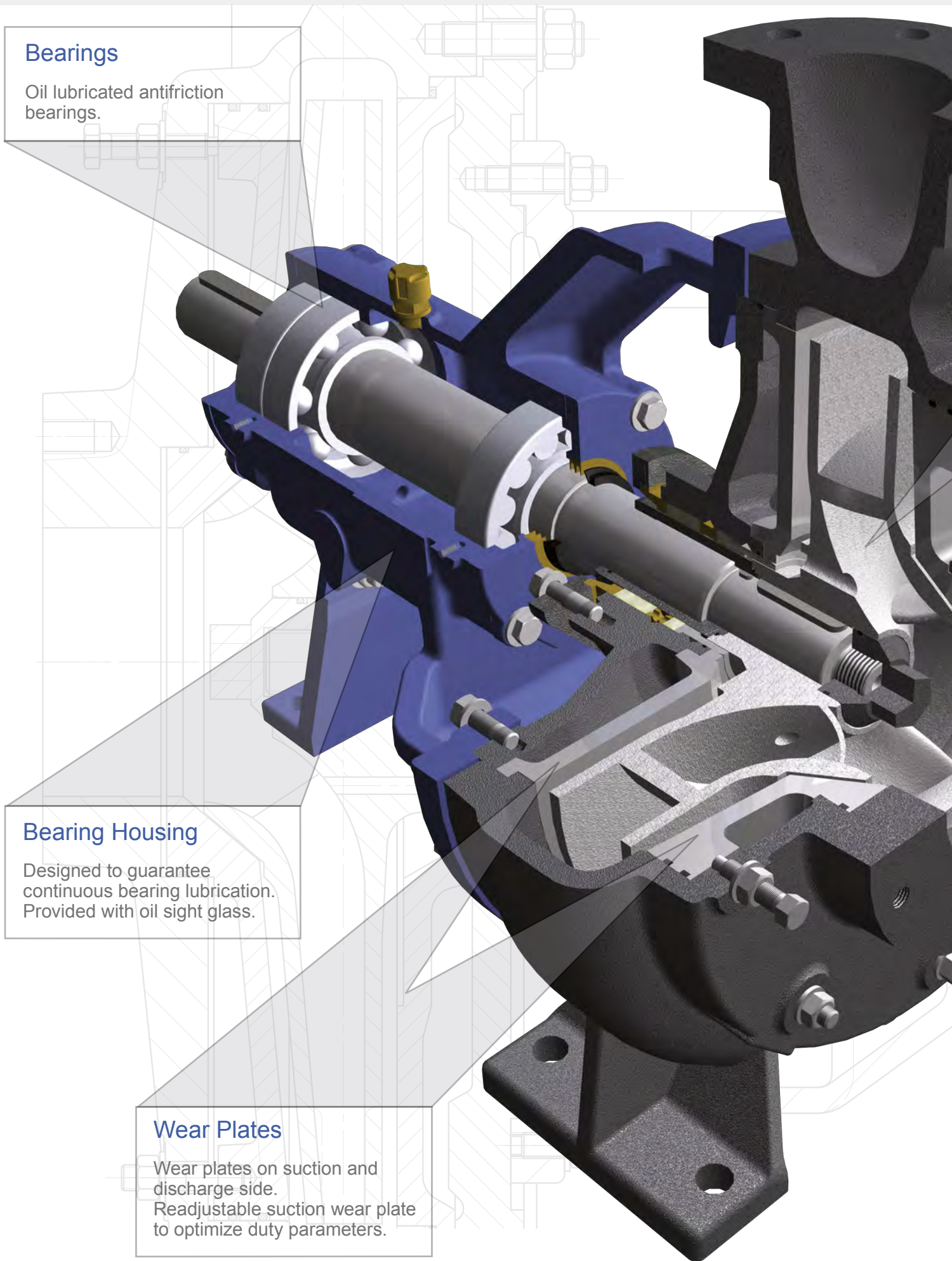
Oil lubricated antifriction bearings.

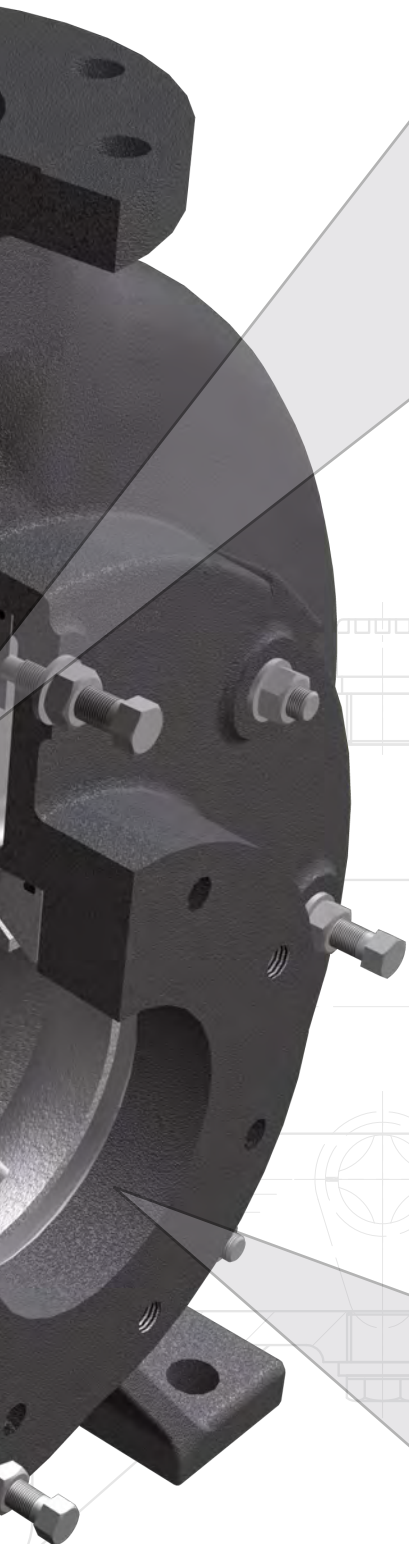
### Bearing Housing

Designed to guarantee continuous bearing lubrication. Provided with oil sight glass.

### Wear Plates

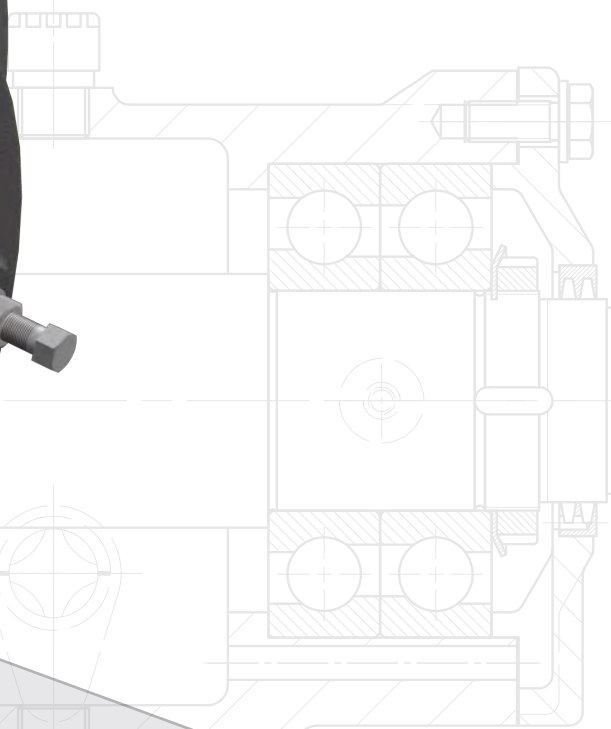
Wear plates on suction and discharge side. Readjustable suction wear plate to optimize duty parameters.





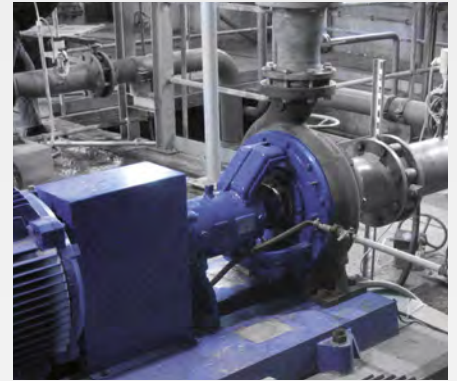
### Impeller

Optimized vane design for highest efficiency and lowest wear. Cast in ceramic moulds for highest surface quality. Different impeller sets available for every pump size.



### Volute Casing

Available in almost any metal from cast iron to SUPER DUPLEX stainless steel. Optimized by numerical calculations for optimized outflow and efficiency.

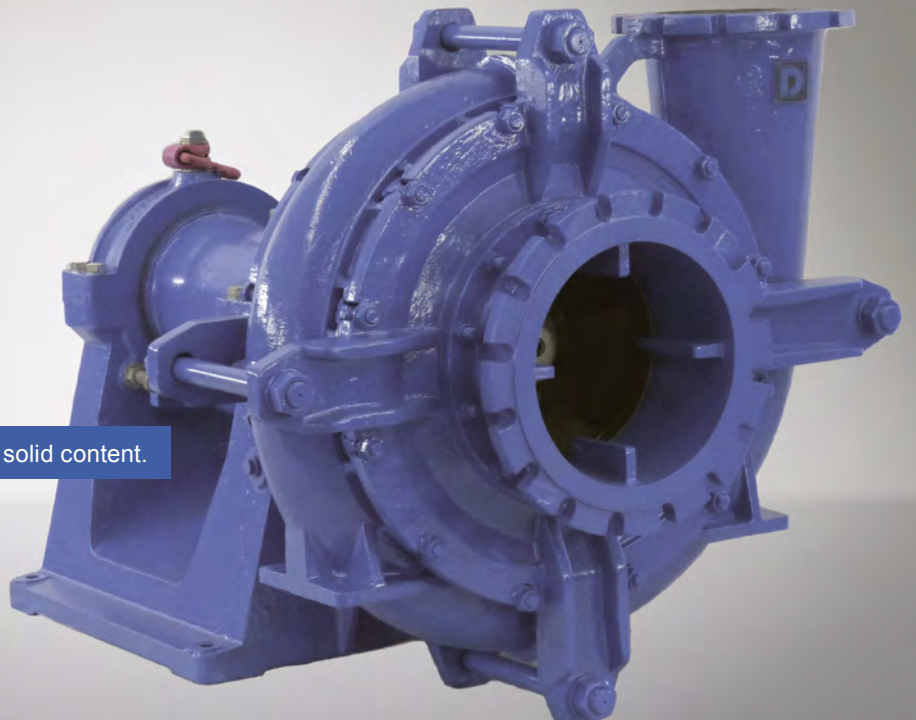




Heavy duty pump

## TYPE WRX

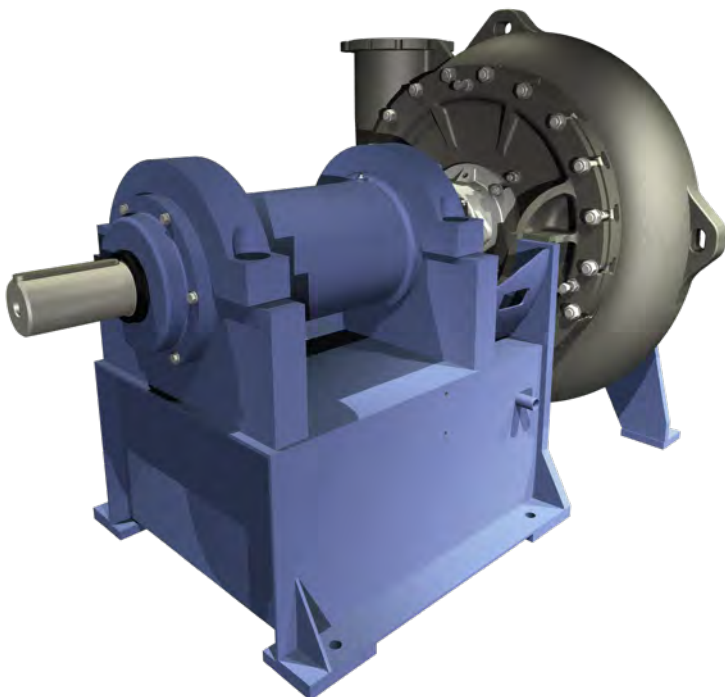
Suitable for abrasive medium with very high solid content.

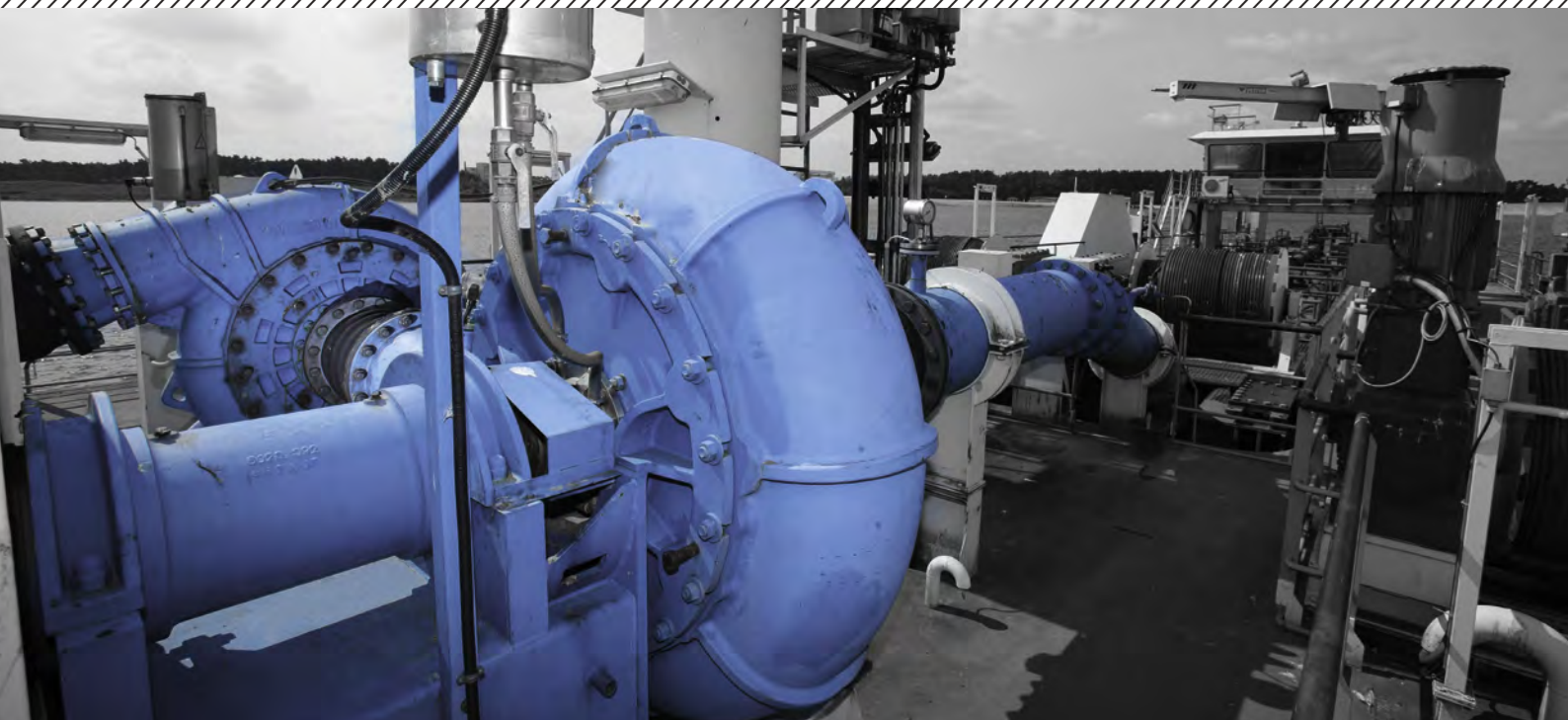


### WRX Design

Highly wear-resistant pump with closed impeller and wear plates on suction and bearing side.

- Pumping of slurry liquids with high sliding wear as well as on mechanical impact by high levels of coarse grain (grain size up to 200 mm)
- The design allows the use of very hard materials
  - ▶ **min. 550 HB**
- Suction: axial
- Discharge: tangential
- Axially adjustable impeller
- Shaft sealing by stuffing box or mechanical seal
- Various impeller shapes are possible (e.g. 2- or 3-vaned)
- Different arrangements available (e.g. vertical)
- Back pullout design (the complete rotating assembly can be removed while the casing remains in its position)
- Durable, oil or grease lubricated bearings
- Direct or belt driven
- Usage as underwater pump through special assemblies possible
- Counterclockwise rotation design possible





## Fields of Application

Particularly suitable for pumping highly abrasive & corrosive liquids with fine to very coarse solids.

- Special foundation
- Mechanised tunneling
- Gravel and Sand Industry
- Mining and Ash Handling
- Furnaces
- Offshore applications
- Traffic & Supply tunneling
- Zinc oxide production
- Sugar industry

## Technical Data

<b>Pump Size:</b>	<b>DN 65 to DN 400</b> 2 1/2" to 16"
<b>max. Pressure:</b>	<b>10 bar / 16 bar</b> (150 PSI / 230 PSI)
<b>max. Flow:</b>	<b>4000 m<sup>3</sup>/h</b> (18000 gpm)
<b>Total head:</b>	<b>up to 90 m (300 ft)</b>
<b>Rotating Speed:</b>	<b>up to 1200 rpm</b>

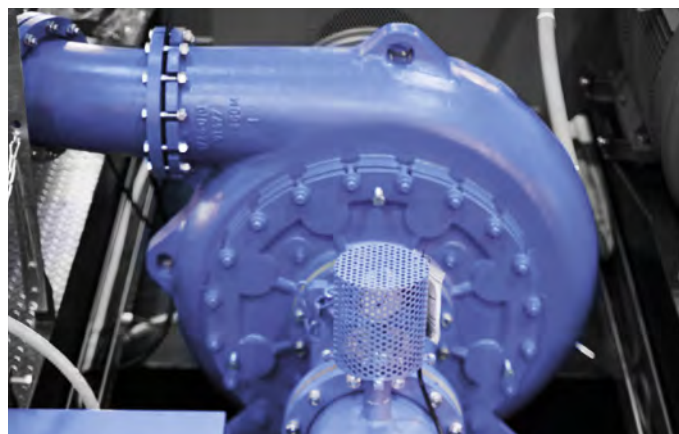
## Materials

<b>Volute casing:</b>	0.9650 (quenched and tempered)
<b>Impeller:</b>	0.9650 (quenched and tempered)
<b>Wear plates:</b>	0.9650 (quenched and tempered)
<b>Shaft:</b>	1.0503 (C45)

The WRX - Also known as „suction dredger pump“



For more information please visit [www.duechting-suction-dredger.com](http://www.duechting-suction-dredger.com)





**Bearings**

Oil or grease lubricated heavy duty bearings.

**Shaft Seal**

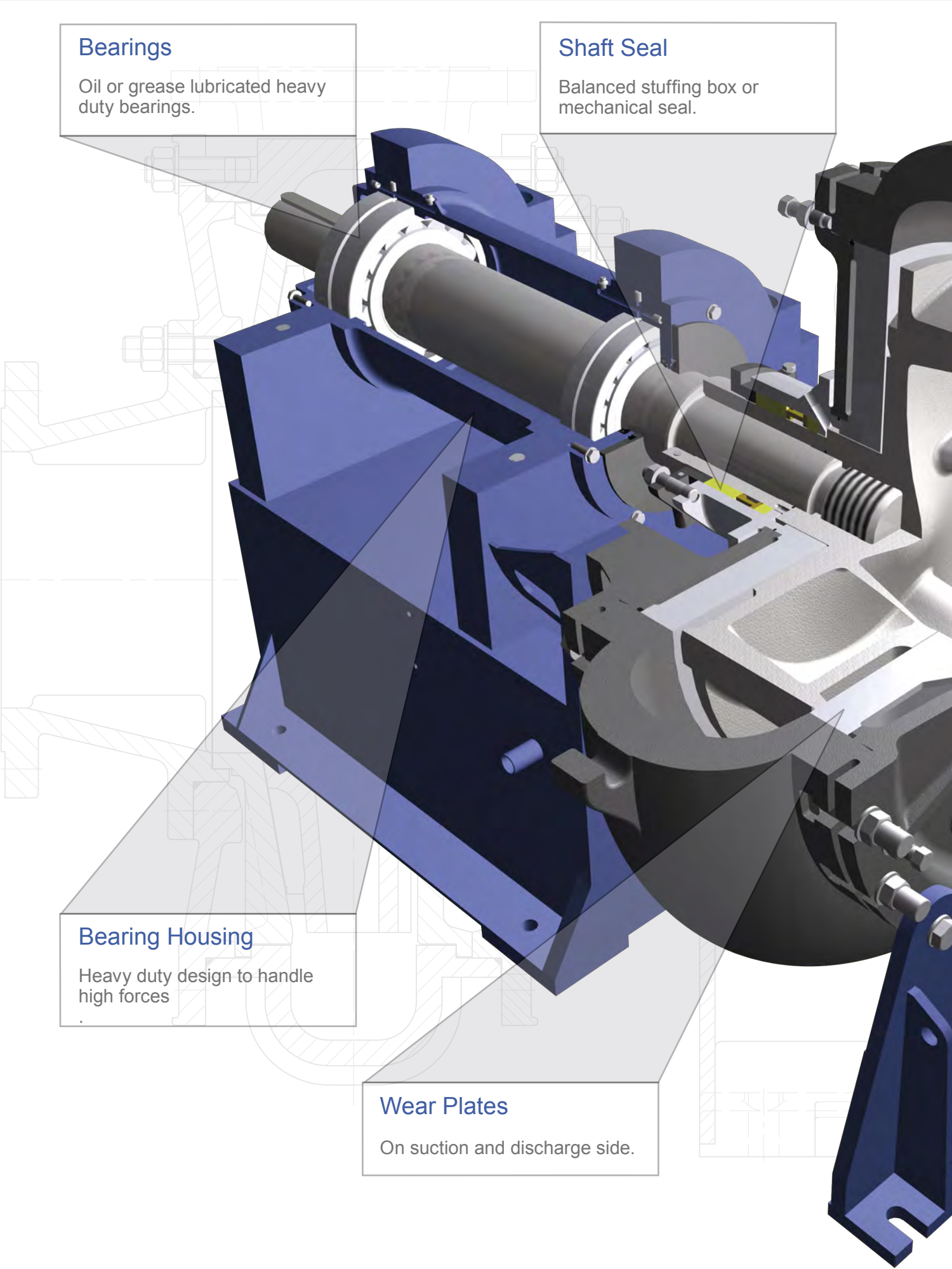
Balanced stuffing box or mechanical seal.

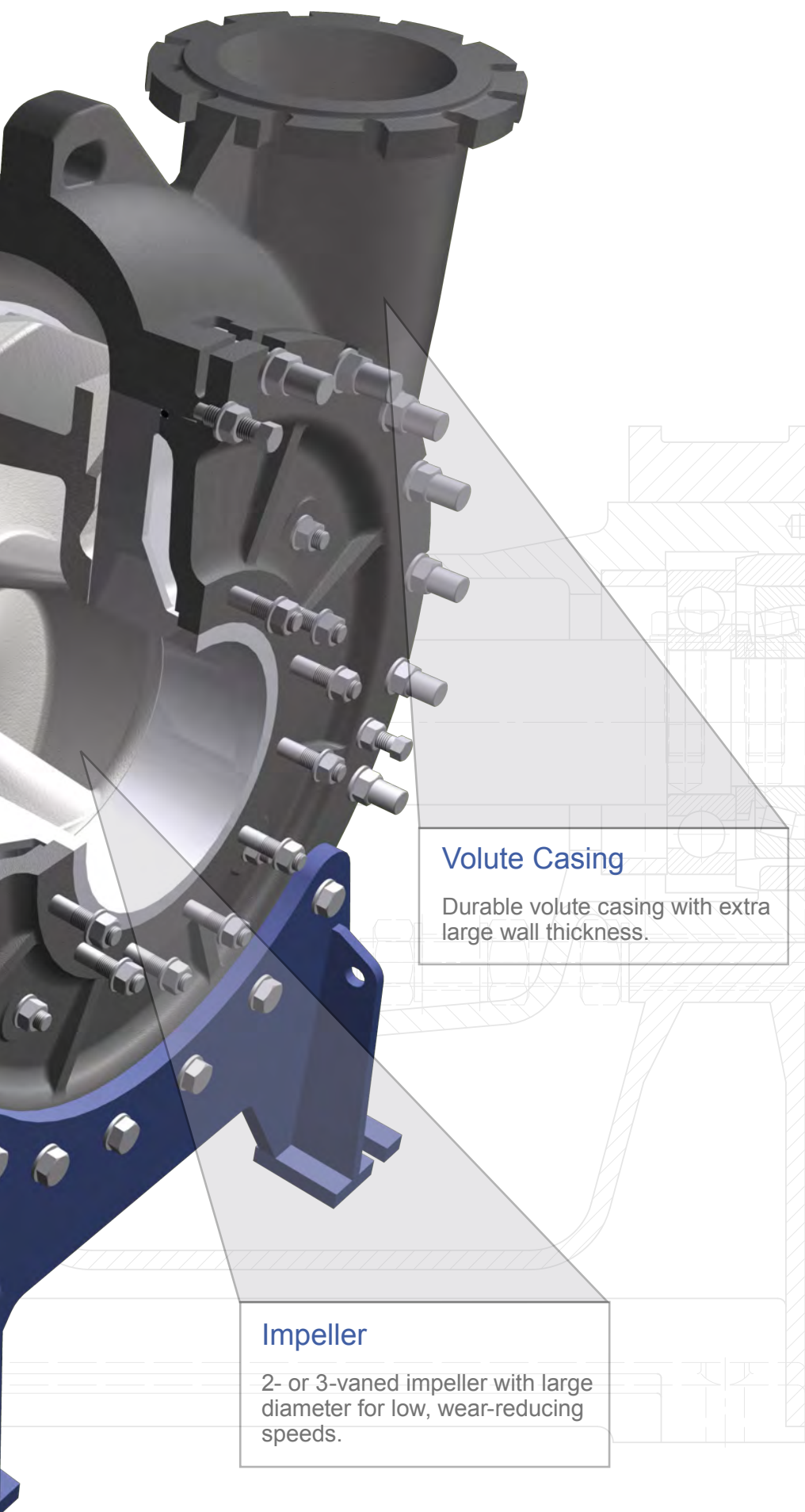
**Bearing Housing**

Heavy duty design to handle high forces

**Wear Plates**

On suction and discharge side.



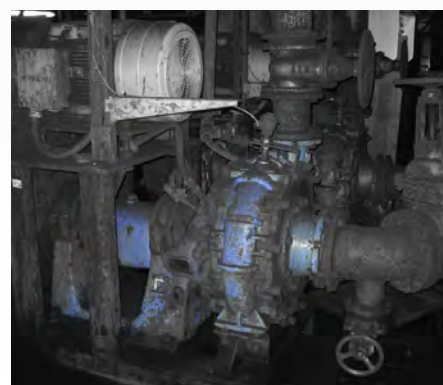
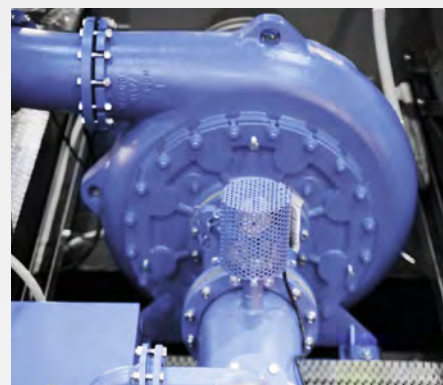


### Volute Casing

Durable volute casing with extra large wall thickness.

### Impeller

2- or 3-vaned impeller with large diameter for low, wear-reducing speeds.





Submersible pump

## TYPE WRS

Designed to handle slurries.

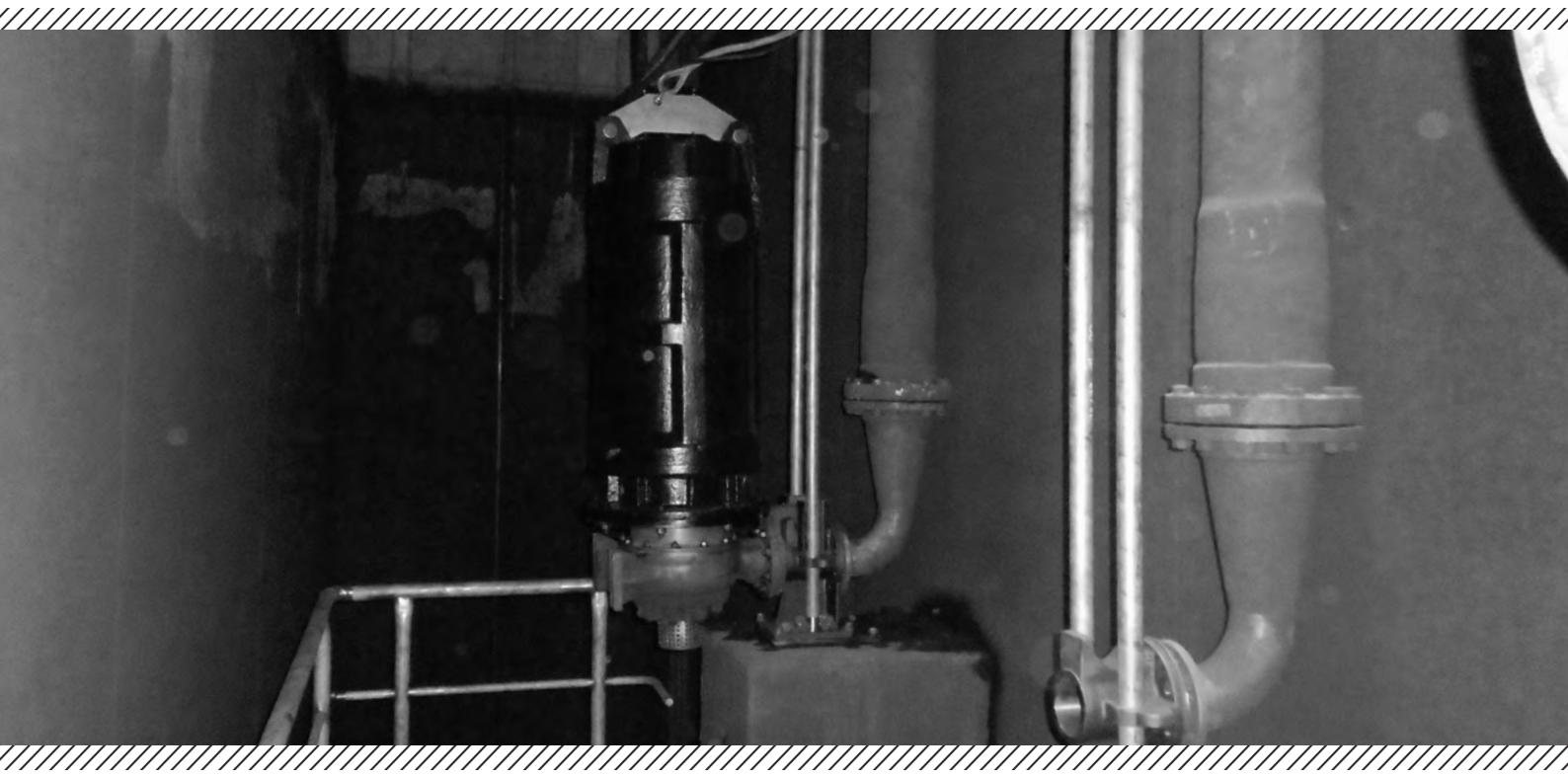


### WRS Design

Single-stage vertical centrifugal submersible pump.

- Pumping of abrasive and corrosive liquids
- Available in almost any metal from cast iron to SUPER DUPLEX stainless steel
- Suction flange: Vertical (including suction strainer)
- Discharge flange: Radial
- Closed impeller with spatially curved vanes
- Re-adjustable inclined gap between impeller and wear plate to optimize the efficiency and the differential pressure after longer operation
- Single acting mechanical seal
- Moisture sensor located in an oil chamber between pump and motor
- Submersible IEC three-phase motor (IP68)
- Optimized design ensures easy maintenance and long service life even under difficult conditions





## Fields of Application

Handling of abrasive and corrosive liquids.

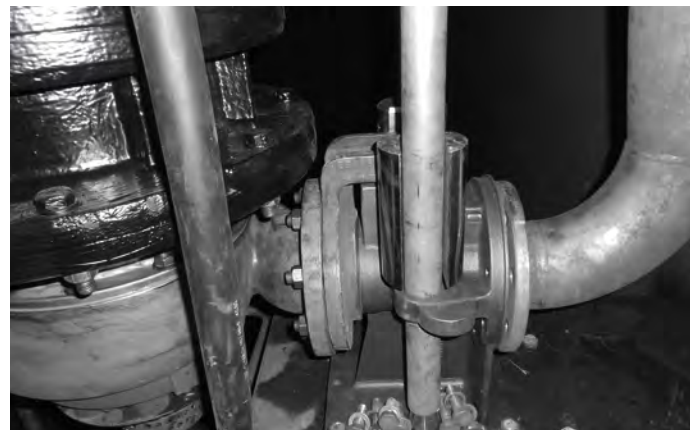
- Flue gas desulfurization
- Chemical industry
- Water treatment
- Seawater desalination plants
- Fertilizer industry / potash industry

## Materials

<b>Volute casing:</b>	Duplex stainless steel
<b>Impeller:</b>	Duplex stainless steel
<b>Wear plate:</b>	Duplex stainless steel
<b>Shaft:</b>	1.4462
<b>Mechanical seal:</b>	silicone carbide (SiC)

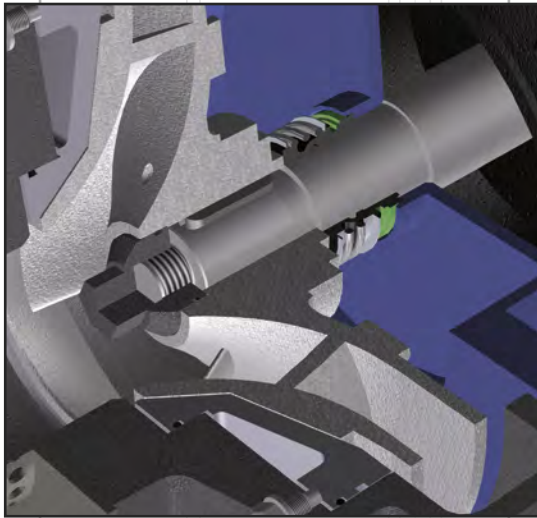
## Technical Data

<b>Pump Size:</b>	<b>DN 32 to DN 150</b> (1 1/4" to 6")
<b>max. Pressure:</b>	<b>10 bar (150 PSI)</b>
<b>max. Flow:</b>	<b>550 m<sup>3</sup>/h (2500 gpm)</b>
<b>Total head:</b>	<b>up to 90 m (300 ft)</b>
<b>Rotating Speed:</b>	<b>up to 3600 rpm</b>



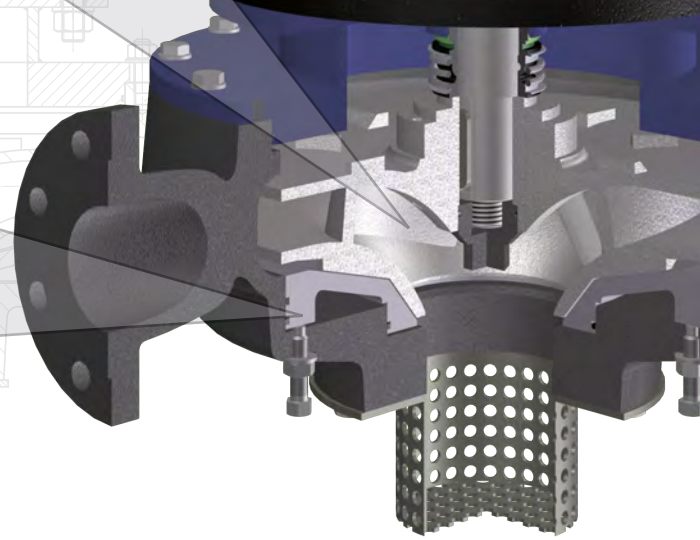
### Impeller

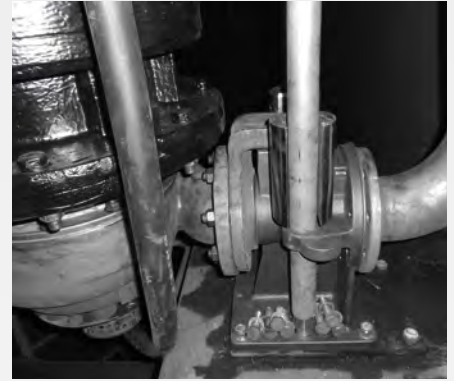
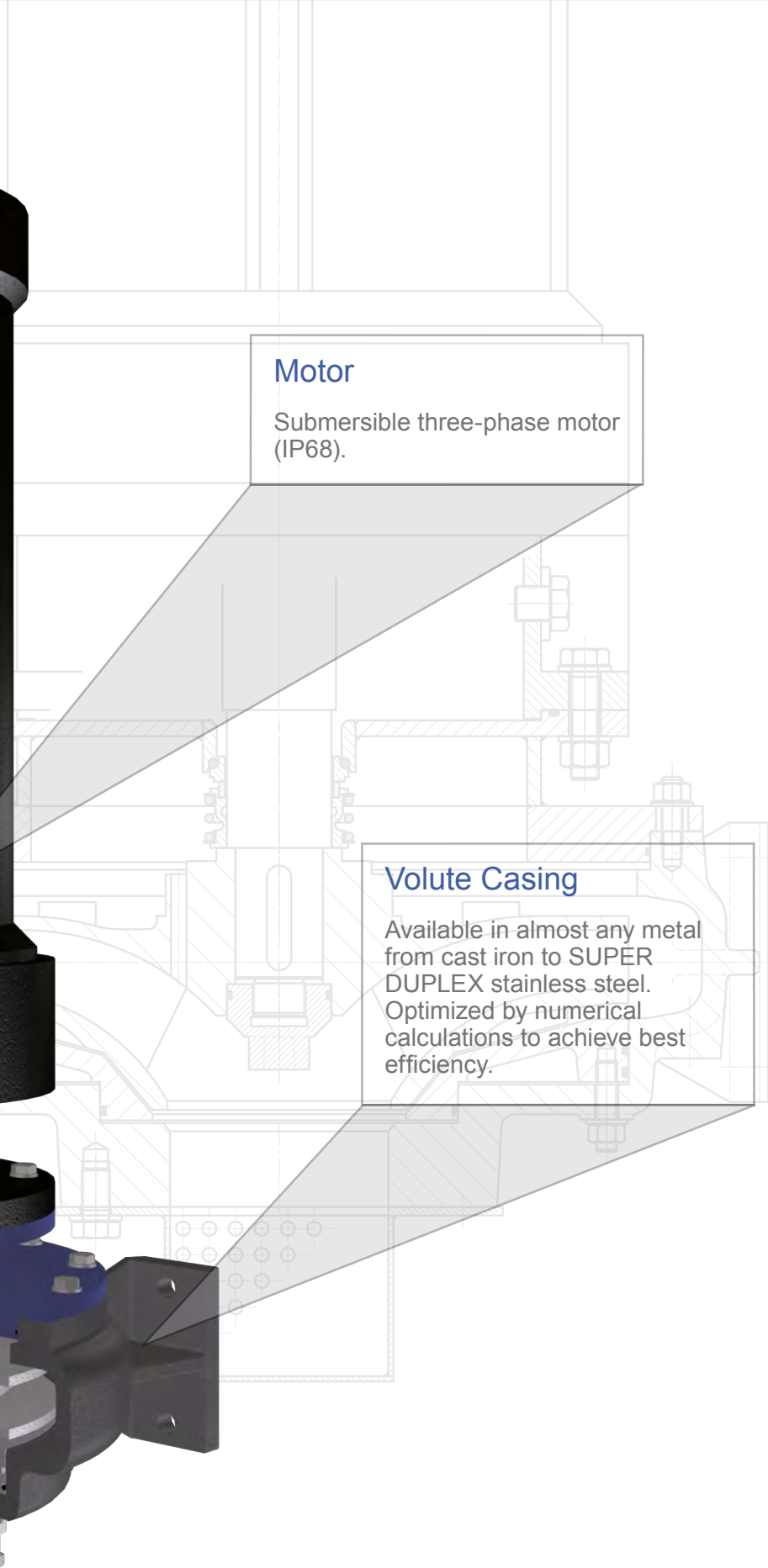
Designed for optimized specific speed. Cast in ceramic moulds for highest surface quality. Different impeller sets available for every pump size.



### Wear Plate

One or two wear plates are possible.







Vertical centrifugal pump

## TYPE WRV

Designed to handle slurries.

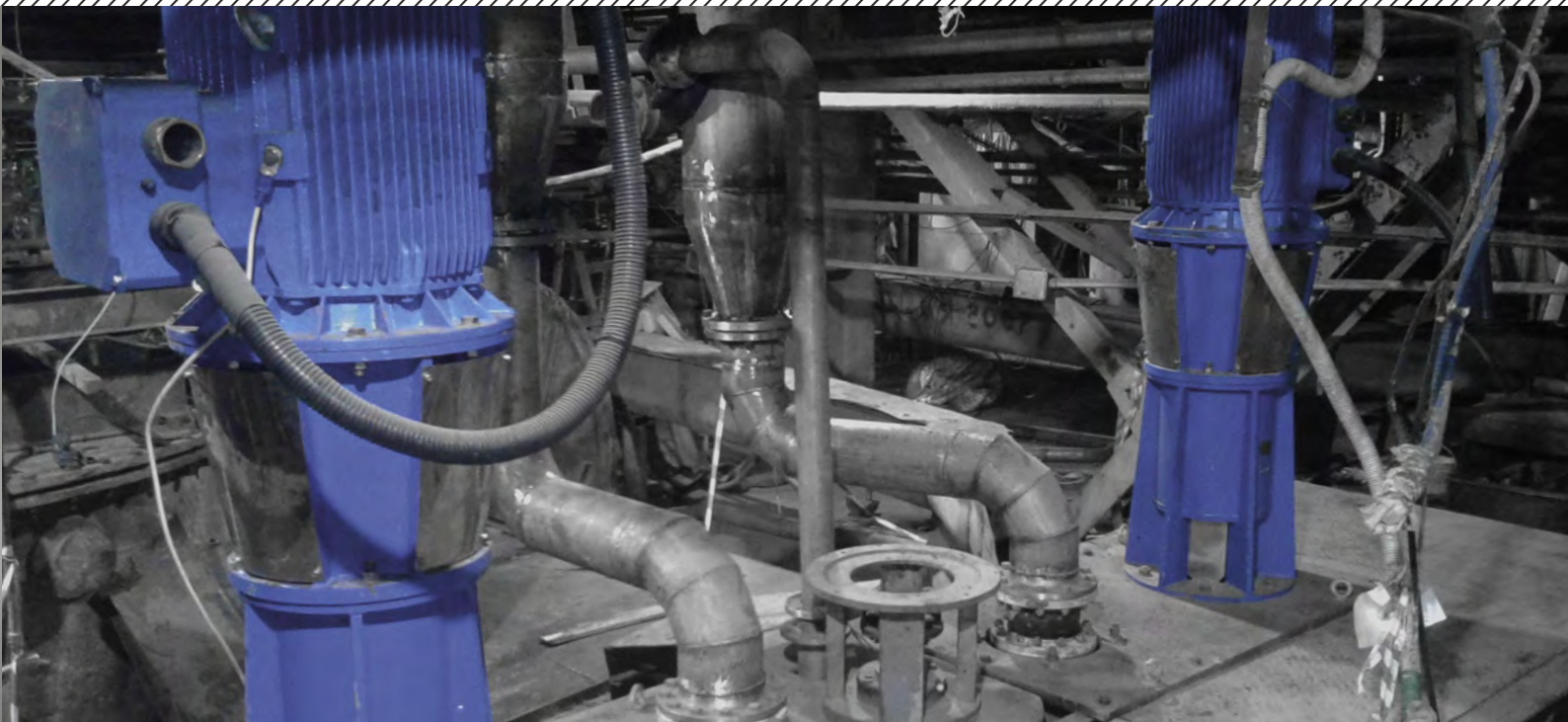


### WRV Design

Vertical single-stage centrifugal pump in semi-submerged design.

- End-suction type slurry pump
- Pumping of abrasive and corrosive liquids
- Discharge flange: DN 32 to DN 250 radial, from DN 300 tangential
- Closed and open impeller available
- Impeller is fixed by fitting key; reverse rotation (e.g. back-flushing) is possible
- Re-adjustable inclined gap between the impeller and volute to optimize the efficiency and differential pressure after prolonged operation
- Grease-lubricated, maintenance-free bearings
- Customized immersion depth possible
- Optimized design ensures easy maintenance and long service life even under difficult conditions
- Direct or belt driven design





## Fields of Application

Handling of abrasive and corrosive liquids.

- Flue gas desulfurization (lime / gypsum slurries)
- Cleaning equipment for heat exchanger
- Construction industry (cement-water mixture)
- Potash industry (caustic potash solution, mixed salts/brine)
- Fertilizer Industry
- Mineral processing and refining

## Materials

Available in almost any metal from cast iron to **SUPER DUPLEX stainless steel**.

The materials are carefully selected depending on the application, the pumped liquids and the combinations of materials adapted to the respective conditions of use.

## Technical Data

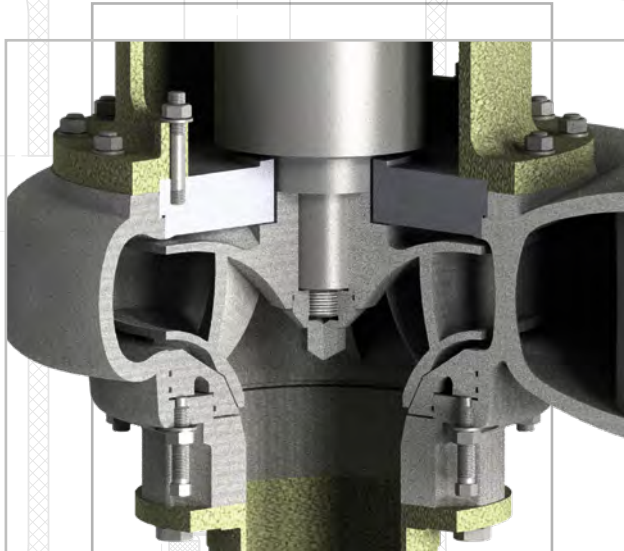
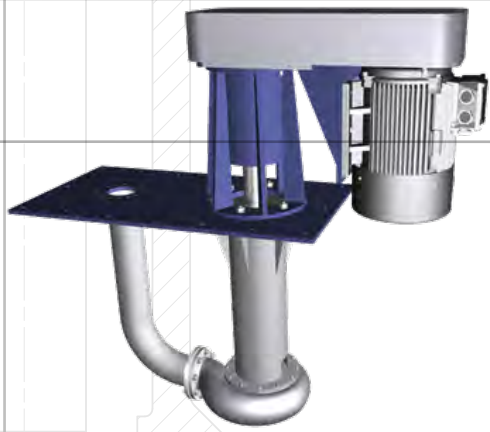
<b>Pump Size:</b>	<b>DN 32 to DN 400</b> (1 1/4" to 16")
<b>max. Pressure:</b>	<b>16 bar (230 PSI)</b>
<b>max. Flow:</b>	<b>4000 m<sup>3</sup>/h (17600 gpm)</b>
<b>Total head:</b>	<b>up to 120 m (395 ft)</b>
<b>Rotating Speed:</b>	<b>up to 3600 rpm</b>





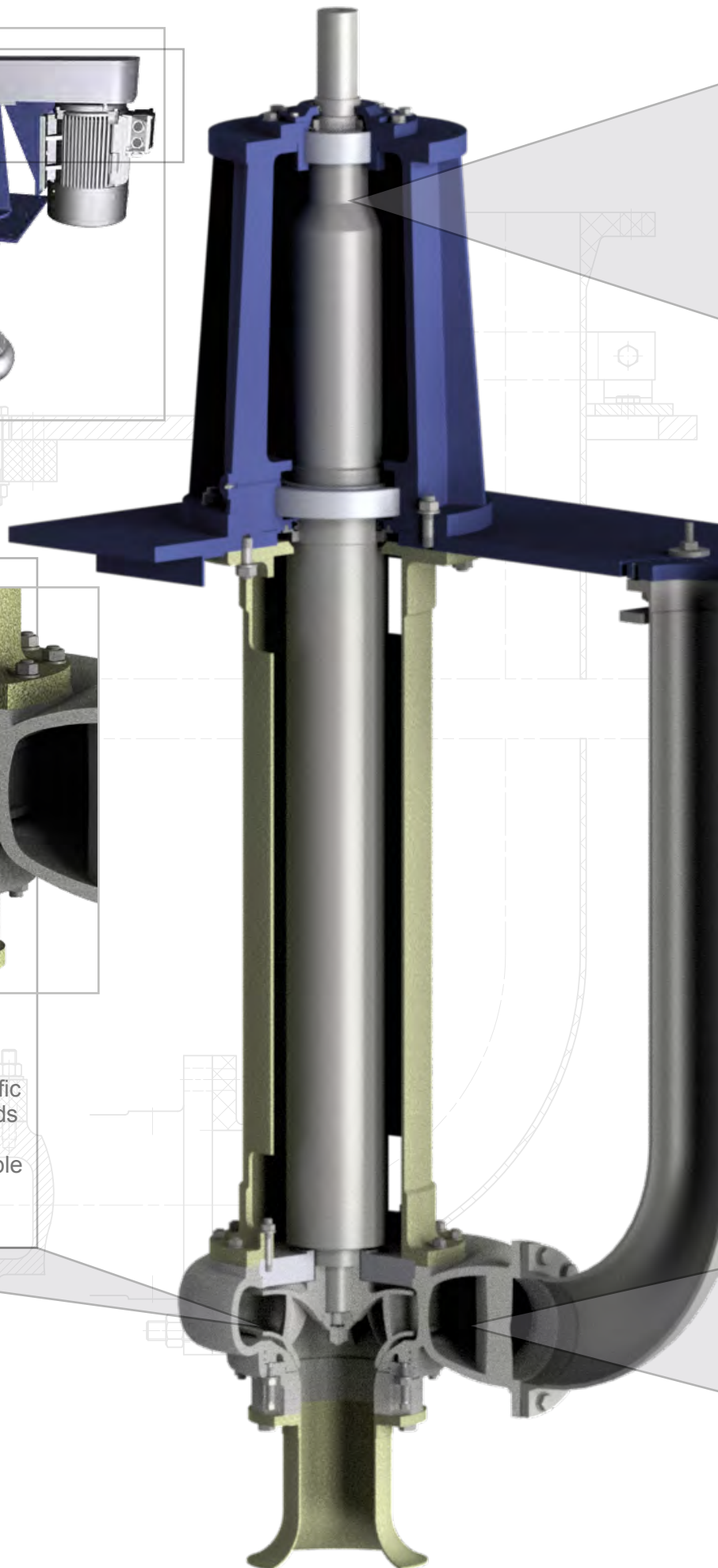
**Arrangement A:**

Belt driven.



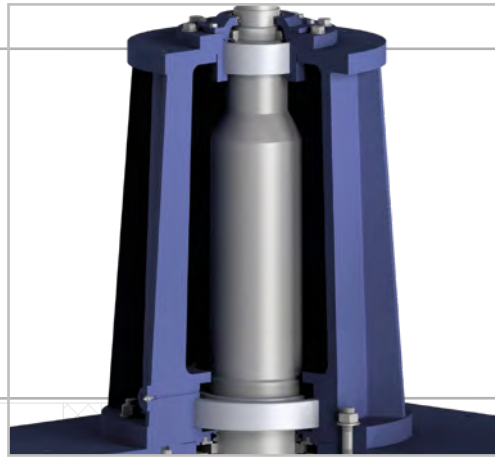
**Impeller**

Designed to optimized specific speed. Cast in ceramic moulds for highest surface quality. Different impeller sets available for every pump size.



### Bearing

Heavy duty bearing arrangement with grease lubrication. The modular shaft design allows high design variability and easy maintenance.



### Arrangement B:

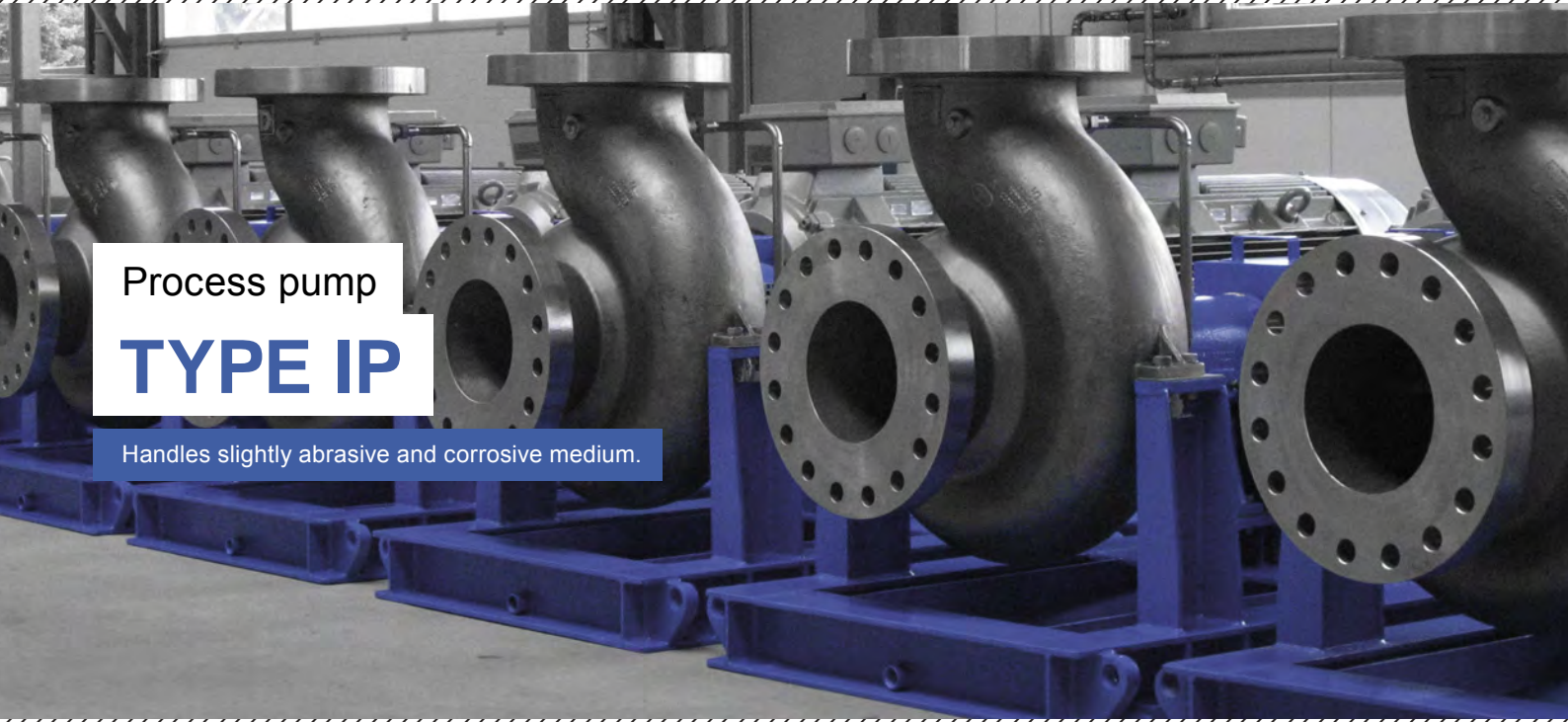
Direct driven.



### Volute Casing

Volute casing with single or double volute. Available in almost any metal from cast iron to SUPER DUPLEX stainless steel. Optimized by numerical calculations to achieve best efficiency.





Process pump

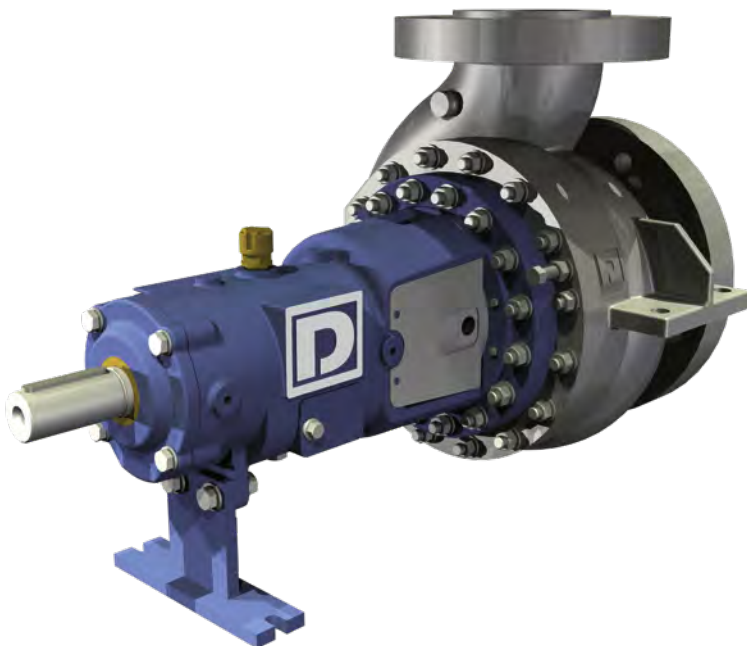
## TYPE IP

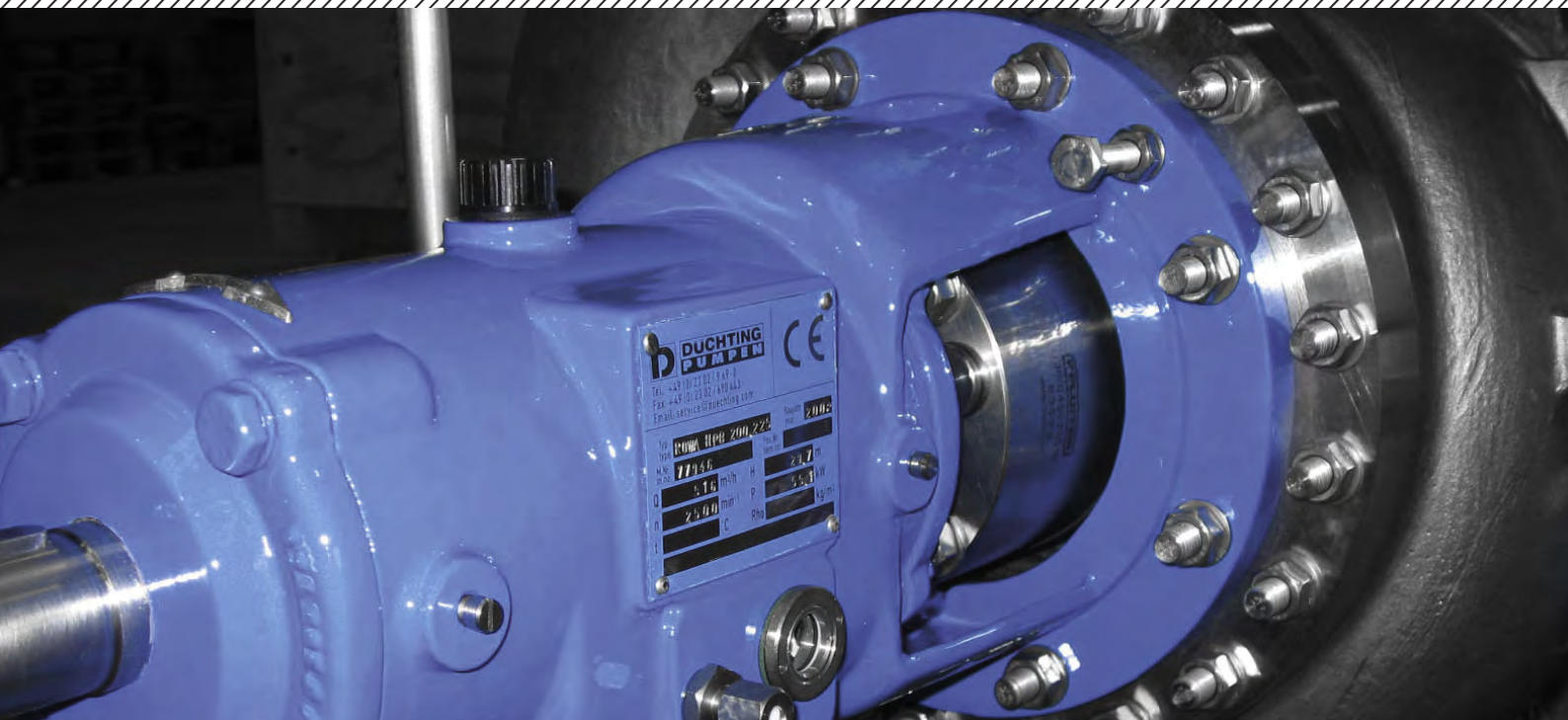
Handles slightly abrasive and corrosive medium.

### IP Design

Single stage end-suction, centrifugal pump.

- Horizontal centerline mounted
- Back pullout design (the complete rotating assembly can be removed while the casing remains on its position)
- Continuous operation in industrial processes for pumping clean and corrosive liquids
- Double volute casing for extended bearing and seal life time
- Wear rings in composite material to maintain best efficiency and reliability
- Pump casing design up to 100 bar
- Suction pressure up to 80 bar
- Available for hot liquid applications
- Oil or grease lubricated bearings
- Cartridge mechanical seal, seal plan as per API
- Vertical installation optional available
- Design in accordance with API 610 / ISO 13709 if specified





## Fields of Application

Suitable for handling of slightly abrasive and corrosive liquids.

- Pressure boosting systems in industrial processes
- Water supply, and water treatment
- Seawater desalination
- Hot water applications
- Oil & Gas - Applications
- Feed water circulation

## Materials

Available in almost any metal from cast iron to SUPER DUPLEX stainless steel.

The materials are carefully selected depending on the application, the pumped liquid and the combinations of materials adapted to the respective conditions of use.

## Technical Data

<b>Pump Size:</b>	<b>DN 50 to DN 450</b> (2 1/2" to 18")
<b>max. Pressure:</b>	<b>100 bar / 15 bar</b> (1450 PSI / 220 PSI)
<b>max. Flow:</b>	<b>4200 m<sup>3</sup>/h</b> (18500 gpm)
<b>Total head:</b>	<b>up to 220 m (720 ft)</b>
<b>Rotating Speed:</b>	<b>up to 3600 rpm</b>



**Shaft**

Critical shaft speed above operating speed.

**Seal**

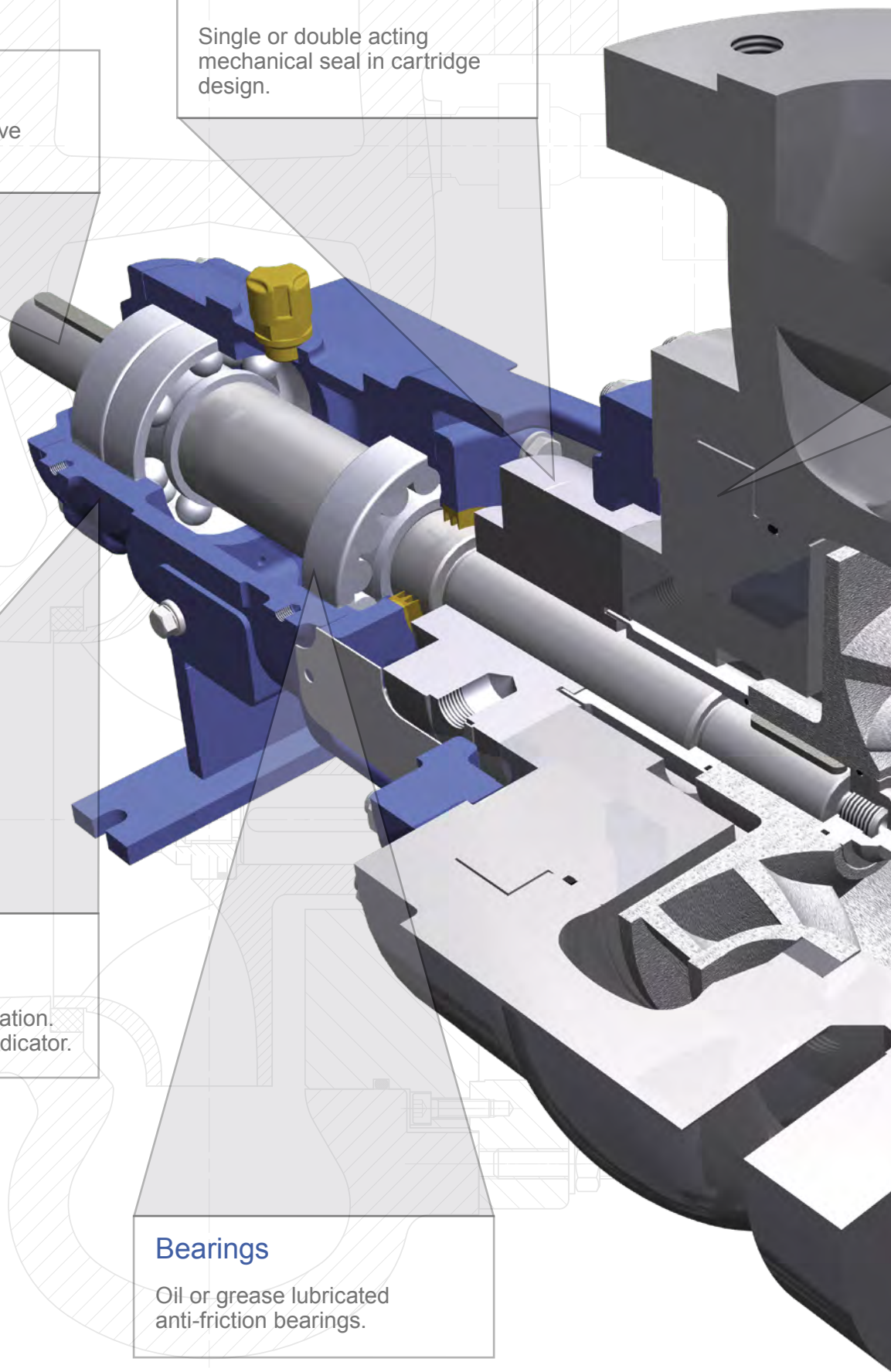
Single or double acting mechanical seal in cartridge design.

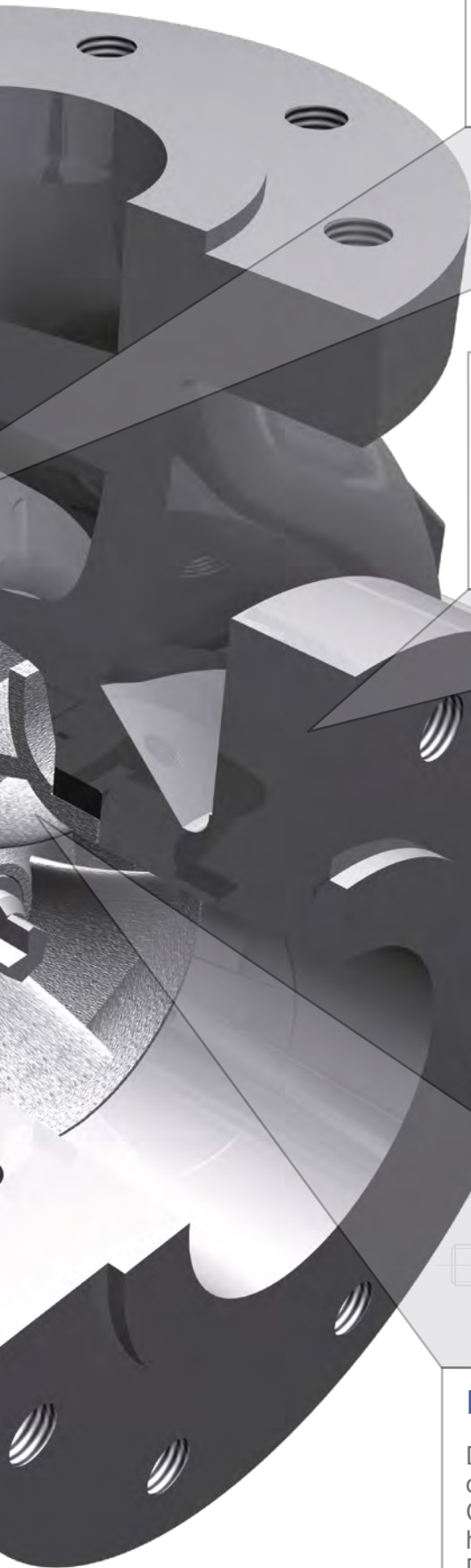
**Bearing Housing**

Designed to guarantee continuous bearing lubrication. Provided with oil level indicator.

**Bearings**

Oil or grease lubricated anti-friction bearings.





### Wear rings

Replaceable rings in composite material to maintain best efficiency and reliability.

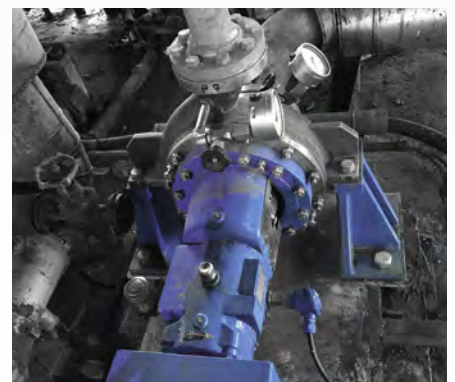
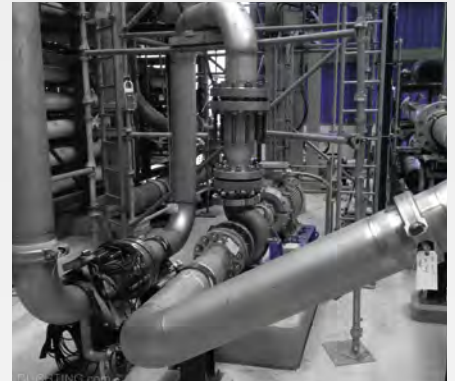
### Volute Casing

Optimized by numerical calculations to achieve best flow conditions.  
Double volute casing to reduce the radial thrust.



### Impeller

Design in consideration of optimal specific speed.  
Cast in ceramic moulds for highest surface quality.  
Different impeller sets available for every pump size.

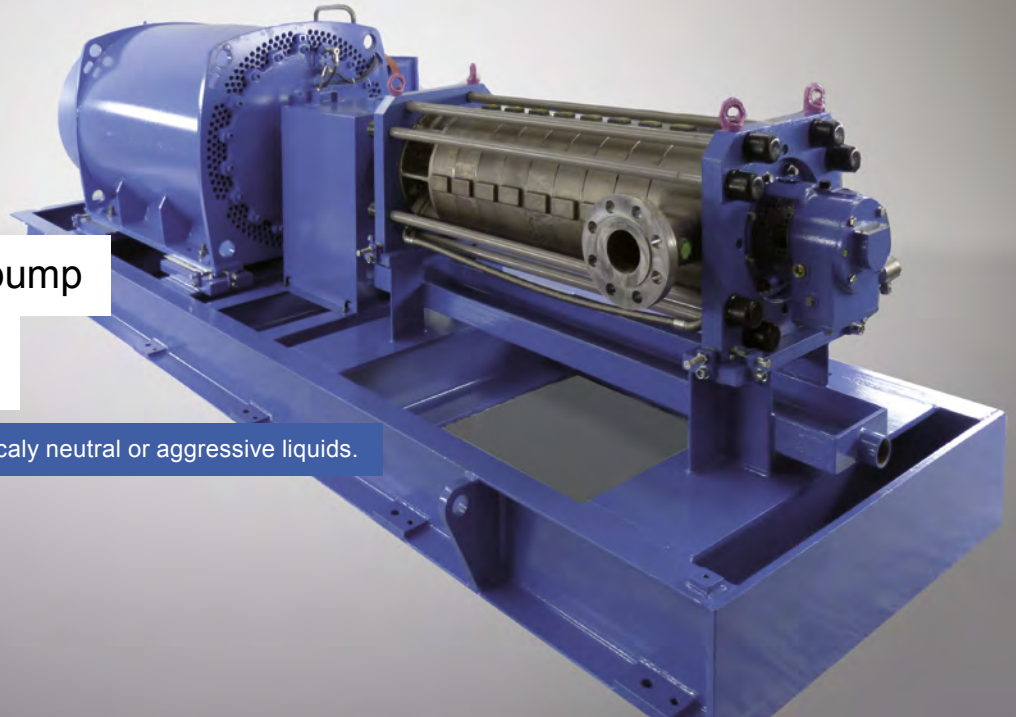




Ring section design pump

## TYPE HPH

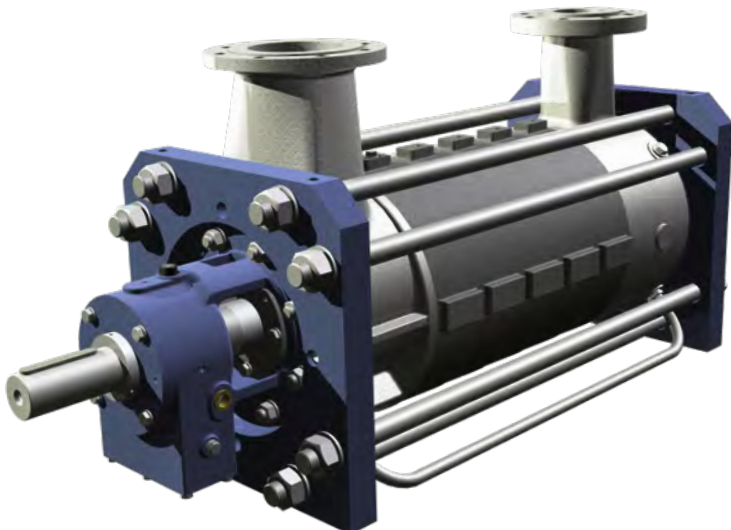
Suitable for slightly polluted, chemicaly neutral or aggressive liquids.

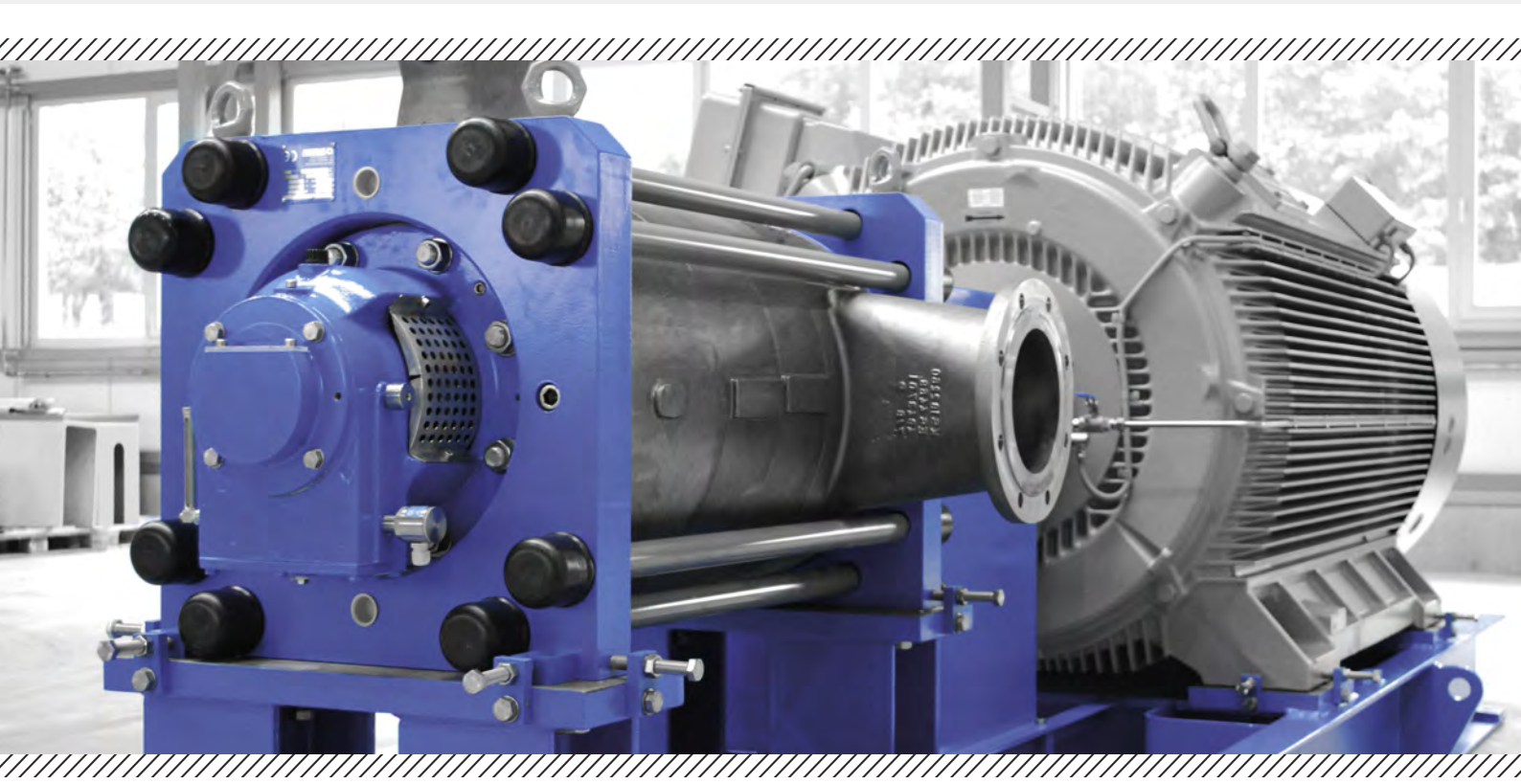


### HPH Design

Multistage centrifugal pump in ring-section design.

- Pump inlet: axial or radial with flanges positioned at 90° increments
- Discharge flange: radial positioned at 90° increments
- Replaceable rings in composite material to maintain best efficiency and reliability
- Shaft sealing by stuffing box or mechanical seal
- Axial thrust compensation by balancing discs, piston or combination of both
- Easy replacement of all wearing parts
- Tailormade solutions available:
  - ▶ **Pump dimensions can be adapted to customer requirements**
- Impellers are fixed by fitting key (e.g. backflushing) possible
- Replaceable Impeller wear rings available
- Pump with one or two connective shaft ends
- Impellers and diffusors are cast by using ceramic moulds to get highest surface quality for outstanding hydraulic performance





## Fields of Application

Handling of clean or slightly polluted, chemically neutral or aggressive liquids.

- Pressure boosting systems in industrial process
- Water supply, and water treatment
- Seawater desalination
- Condensate production
- Boiler feed systems
- Hot water applications
- Petrochemical applications
- Water Injection

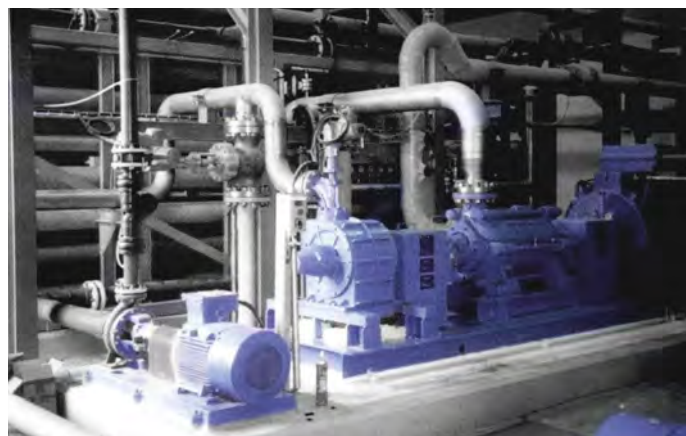
## Materials

Carefully selected depending on the application and adapted to the respective conditions.

DÜCHTING PUMPEN offers improved corrosion resistant materials like SUPER DUPLEX stainless steel with Pitting Resistance Equivalent numbers above 40.

## Technical Data

<b>Pump Size:</b>	<b>DN 80 to DN 300</b> (3" to 12")
<b>max. Pressure:</b>	<b>100 bar</b> (1450 PSI)
<b>max. Flow:</b>	<b>3500 m<sup>3</sup>/h</b> (15400 gpm)
<b>Total head:</b>	<b>up to 1100 m</b> (3600 ft)
<b>Rotating Speed:</b>	<b>up to 3600 rpm</b>





### Diffusor

With reduced impact losses due to CFD optimized flow channels.

### Impeller

Design in consideration of optimal specific speed. Cast in ceramic moulds for best surface quality. Different impeller sets available for every pump size.

### Wear Rings

Replaceable wear rings in composite material to maintain best efficiency and reliability.

### Axial suction Branch available

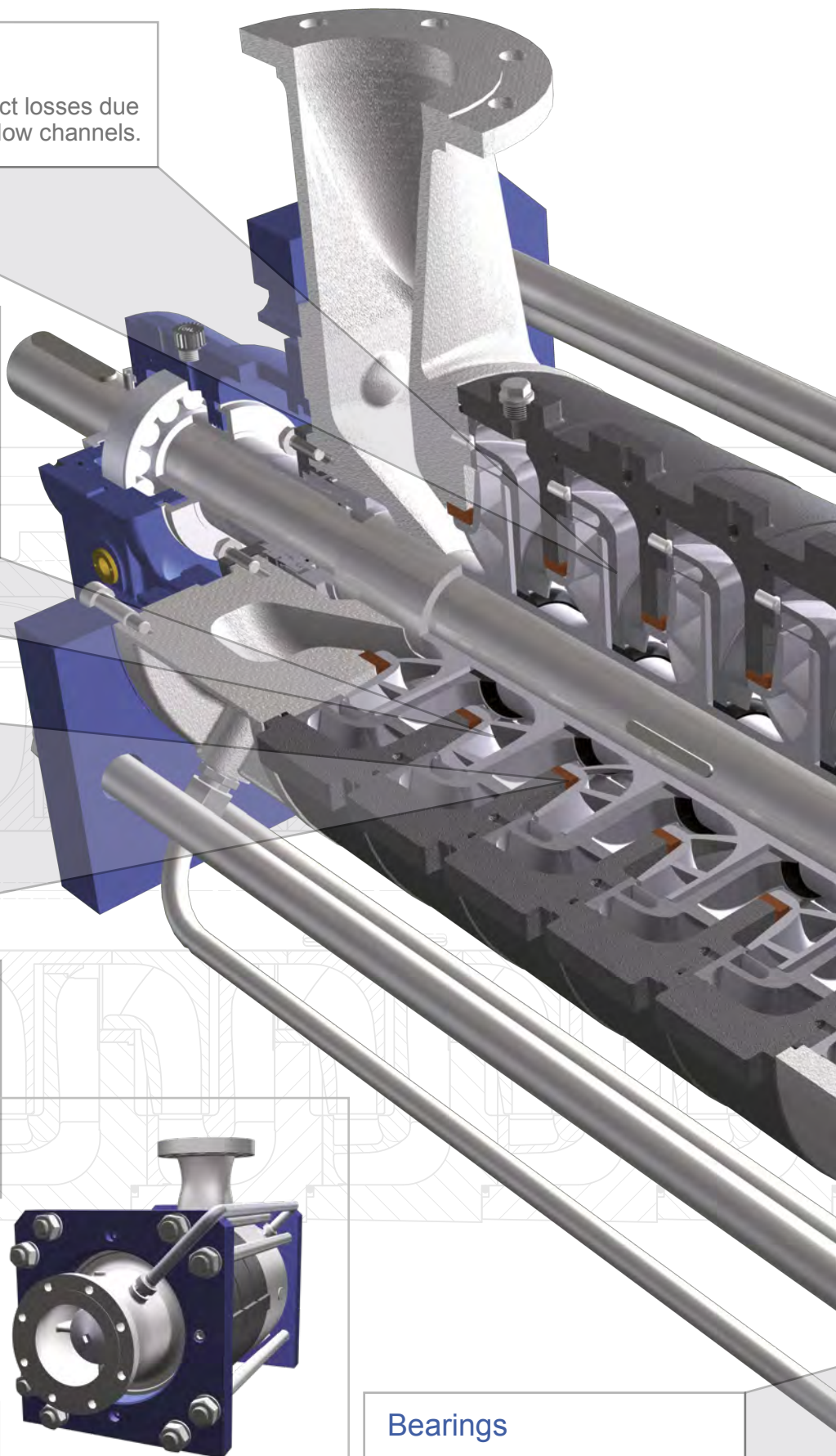
In horizontal orientation for constant inlet velocities and reducing suction pressure requirements.

### Liquid lubricated plain bearing

Plain bearing eliminates second mechanical seal (for axial inlet).

### Bearings

Supplied with oil-lubricated anti-friction bearings or plain bearings for long-life performance.

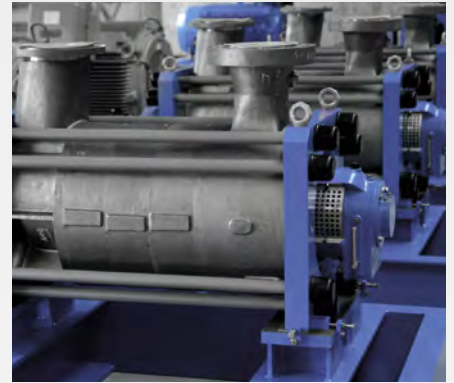
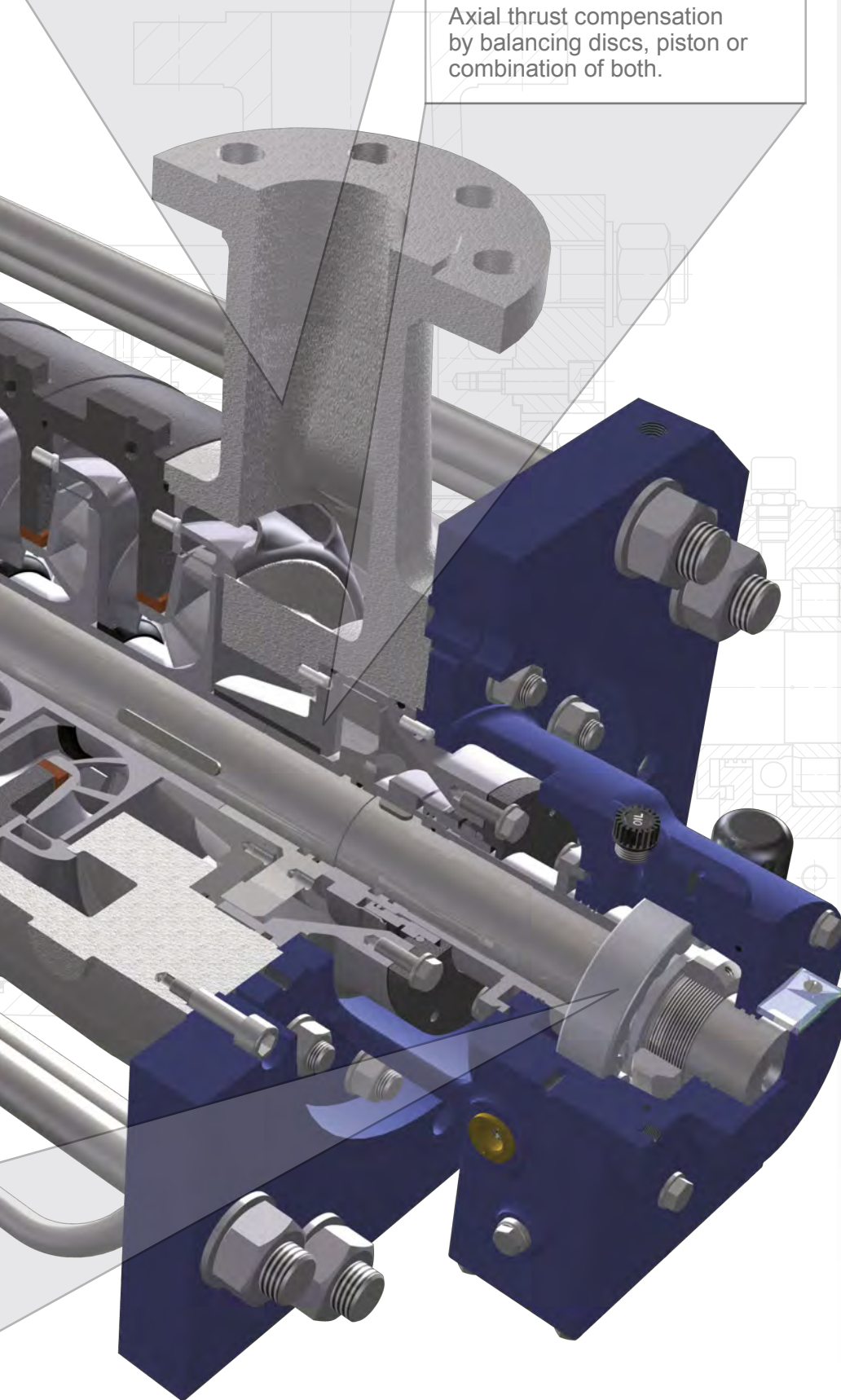


### Discharge Casing

Optimized by numerical calculations to achieve best outflow conditions.

### Balancing Device

Axial thrust compensation by balancing discs, piston or combination of both.





Multistage pump

## TYPE HPE

Suitable for slightly polluted, chemically neutral or aggressive liquids.

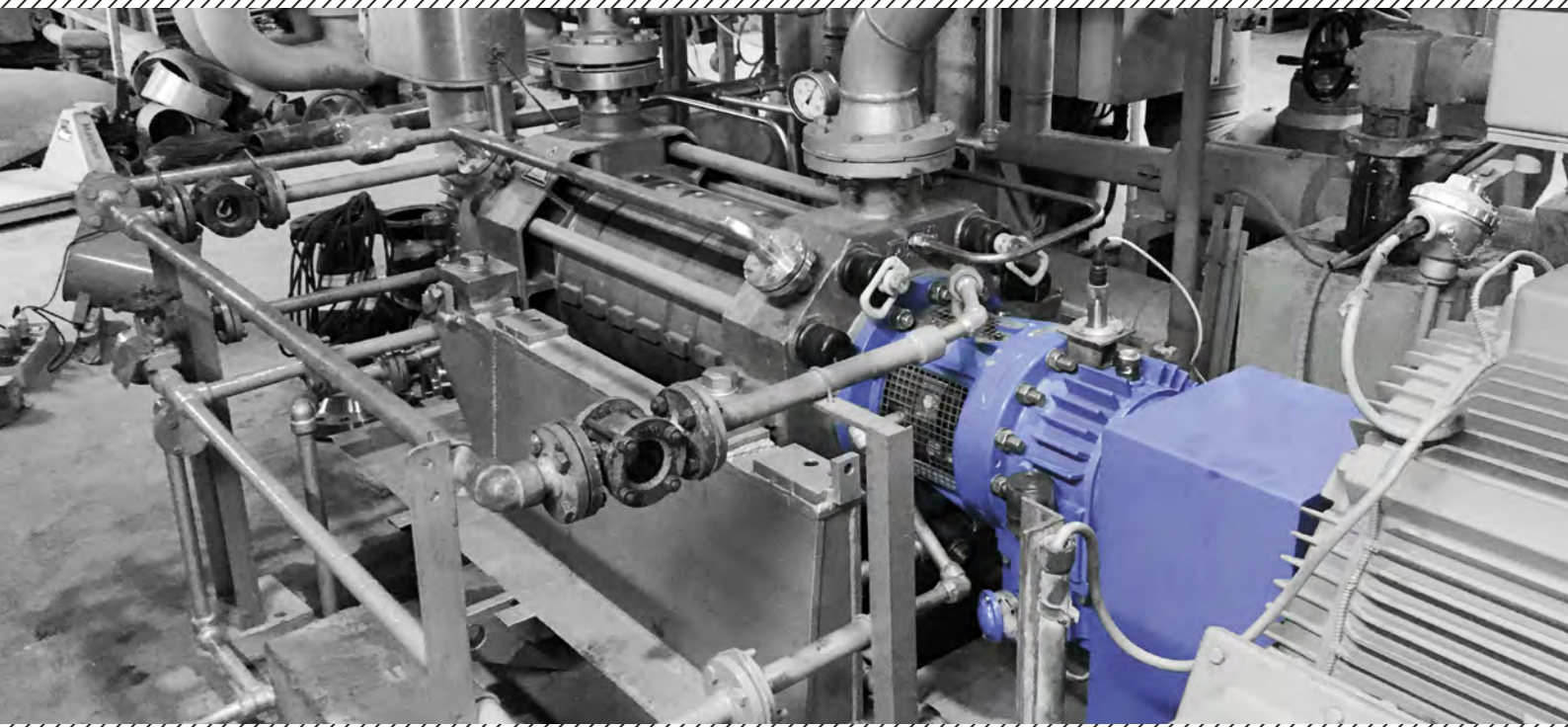


### HPE Design

Multistage centrifugal pump in ring-section design.

- Center-line or foot-mounted casings available
- Wear rings in composite material (carbon fiber filled PEEK) for smaller clearances while maintaining the same reliability and best efficiency
- Intermediate discharge flange available
- Available with anti-friction or plain bearings, forced lubrication possible
- Jacket or shaft seal cooling possible
- Tailormade solutions available:
  - ▶ **Pump dimensions can be adapted to customer requirements**
- Shaft sealing by stuffing box or mechanical seal
- Axial thrust handled by balance disk or piston
- Easy replacement of all wear parts





## Fields of Application

Handling of clean or slightly polluted, chemically neutral or aggressive liquids.

- Pressure boosting systems in industrial process
- Water supply or water injection
- Condensate production
- Boiler feed systems
- Hot water applications
- Descaling in steel plants
- Oil & Gas - Applications (handling formation water)

## Materials

Available in almost any metal from cast iron to SUPER DUPLEX stainless steel.

The materials are carefully selected depending on the application, the pumped liquid and the combinations of materials adapted to the respective conditions of use.

## Technical Data

<b>Pump Size:</b>	<b>DN 50 to DN 300</b> (2" to 12")
<b>max. Pressure:</b>	<b>250 bar (3600 PSI)</b>
<b>max. Flow:</b>	<b>3500 m<sup>3</sup>/h</b> (15400 gpm)
<b>Total head:</b>	<b>up to 2200 m (7218 ft)</b>
<b>Rotating Speed:</b>	<b>up to 3600 rpm</b>



### Discharge Casing

Optimized by numerical calculations to achieve best outflow conditions.

### Diffusor

With reduced impact losses due to CFD optimized flow channels.

### Balancing Device

Axial thrust compensation by balancing discs or piston.

### Impeller

Design in consideration of optimal specific speed.  
Cast in ceramic moulds for best surface quality.  
Different impeller sets available for every pump size.

### Wear Rings

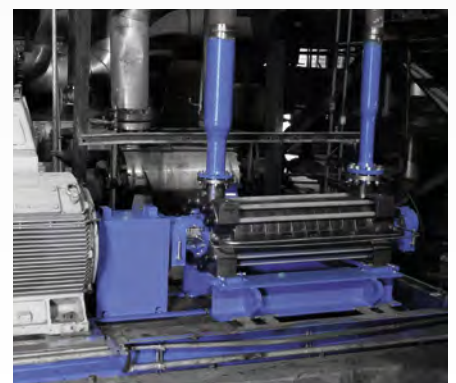
Replaceable rings in composite material to maintain best efficiency and reliability.

### Shaft Sealing

Different seal plans available.  
Jacket cooling possible.

### Bearings

Supplied with oil-lubricated  
anti-friction bearings or  
plain bearings for long-life  
performance.

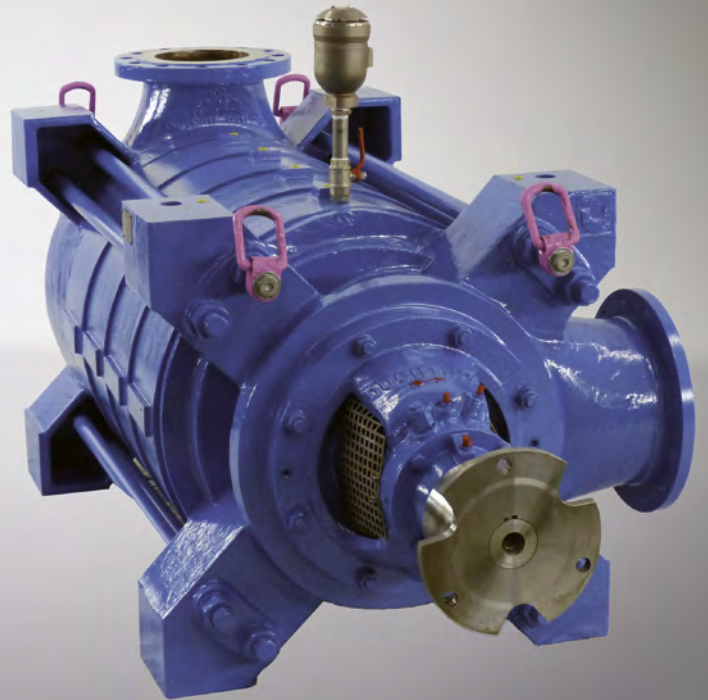




Multistage pump

## TYPE HPXL

Handles liquids with up to 10% solids.

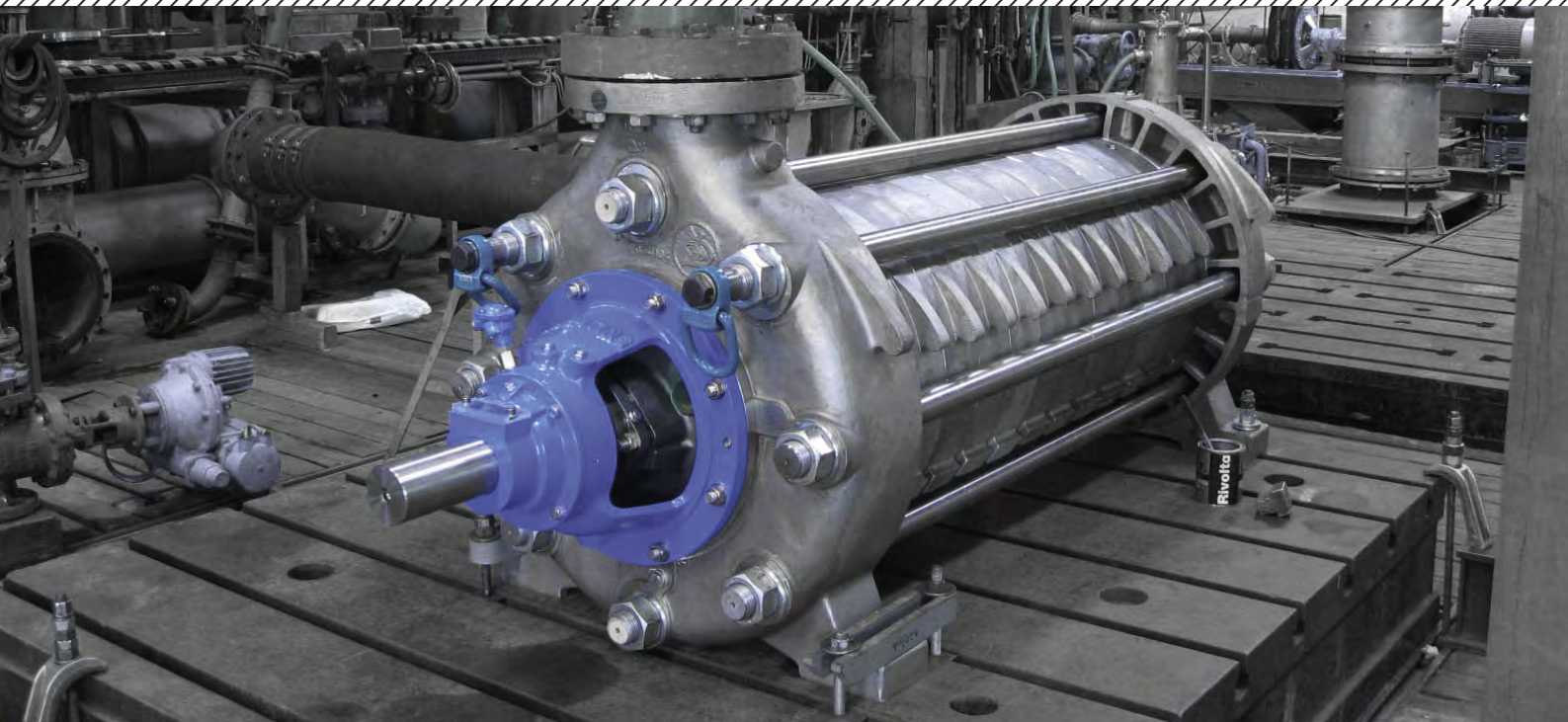


### HPXL Design

Multistage centrifugal pump in ring-section design.

- Flanges positioned at 90 ° increments
- Shaft sealing by stuffing box or mechanical seal
- Axial thrust compensation by individually balanced impellers
- Designed for 4-pole speed
- Reduced life-cycle costs
- Grease or oil-lubrication anti-friction bearings available
- Tailormade solutions available:
  - ▶ Pump dimensions can be adapted to customer requirements
  - ▶ Single or double inlet suction casing available
  - ▶ Discharge flanges available on intermediate stage casings
  - ▶ Drive from one or both shaft ends possible
- Closed impellers with spatially curved vanes
- Impeller fixed with fitting key





## Fields of Application

Handling of contaminated, chemically neutral or aggressive liquids with up to 10% solids.

- Main water drainage in mining
- In addition to drainage and mine weather cooling in mining
- Pressure boosting systems in industrial processes
- Water supply and water treatment plants
- Condensate production
- Mineral industry
- Oil & Gas Applications

## Technical Data

<b>Pump Size:</b>	<b>DN 32 to DN 300</b> (1 1/4" to 12")
<b>max. Pressure:</b>	<b>40 bar (580 PSI)</b>
<b>max. Flow:</b>	<b>2500 m<sup>3</sup>/h</b> (11000 gpm)
<b>Total head:</b>	<b>up to 400 m (1300 ft)</b>
<b>Rotating Speed:</b>	<b>up to 3600 rpm</b>

## Materials

Available in almost any metal from cast iron to SUPER DUPLEX stainless steel.

The materials are carefully selected depending on the application, the pumped liquid and the combinations of materials adapted to the respective conditions of use.





### Suction Casing

Advanced design for constant inlet velocities.

### Bearings

Grease or oil-lubricated anti-friction bearings for long-life performance.

### Wear Rings

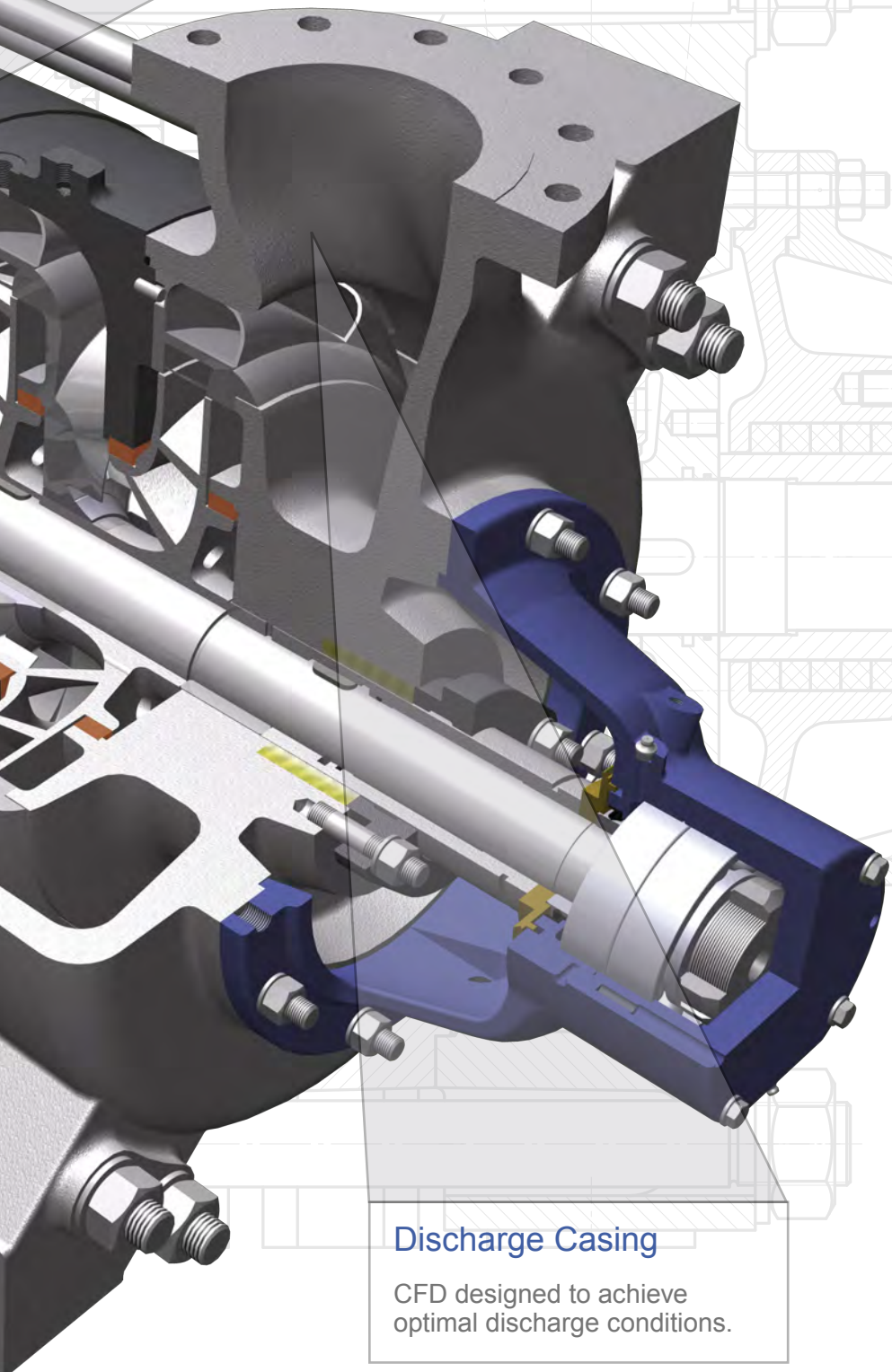
Replaceable rings in composite material to maintain best efficiency and reliability.

### Impeller

Optimized design for specific speed. Cast in ceramic moulds for highest surface quality. High efficiencies achieved by different impeller sets for each pump size.

### Diffusor

CFD optimized flow channels resulting in reduced impact losses.



### Discharge Casing

CFD designed to achieve optimal discharge conditions.

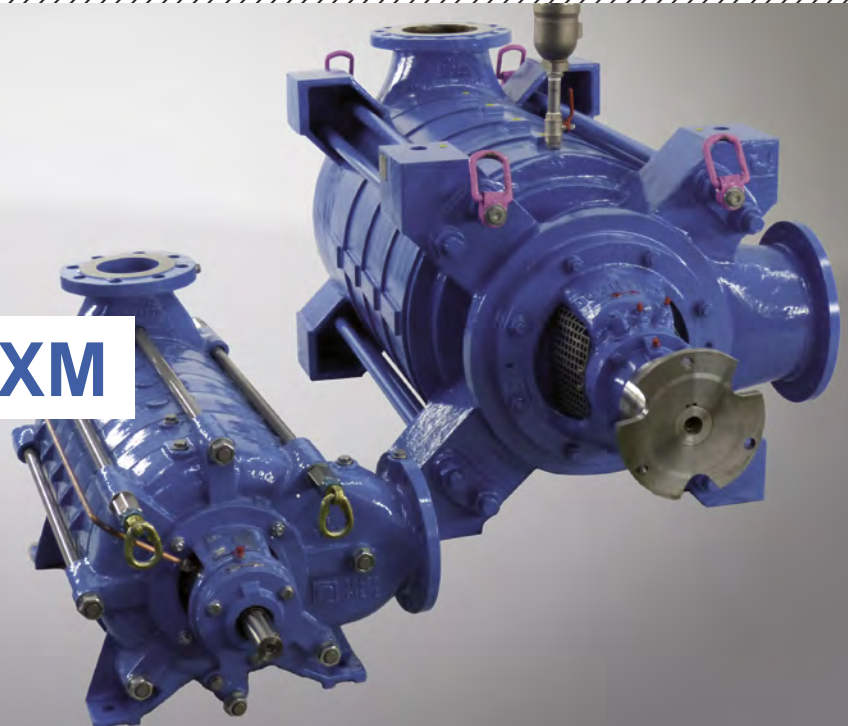




Multistage pump types

## TYPE HPXU & HPXM

Handles liquids with up to 10% solids.

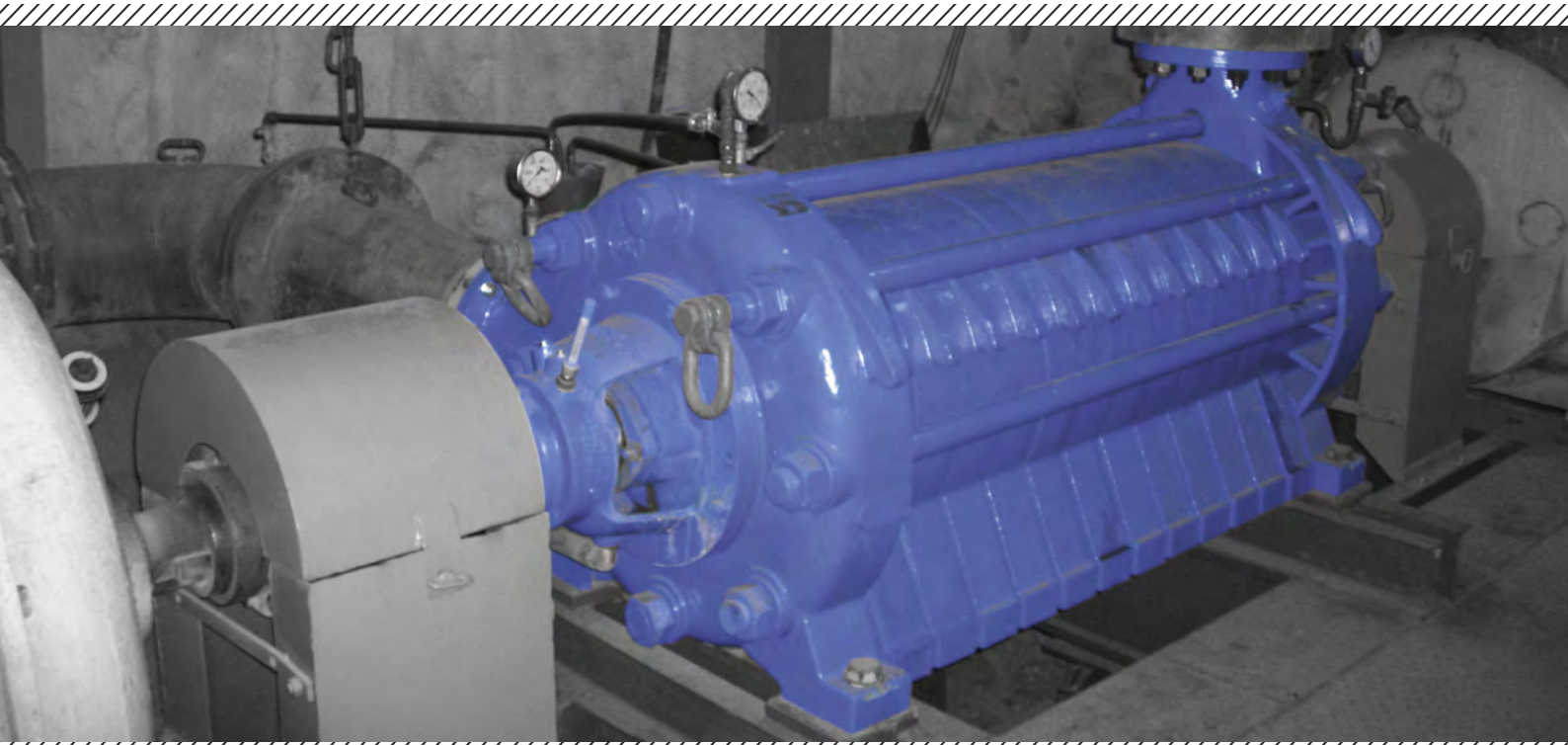


### HPXU & HPXM Design

Multistage centrifugal pump in ring-section design.

- Flanges positioned at 90° increments
- Shaft sealing by stuffing box or mechanical seal
- Axial thrust compensation by balancing device with optical or digital wear indicator for optimized maintenance control
- Designed for 4-pole speed
- Reduced life-cycle costs
- Grease or oil lubrication anti-friction bearings available
- Tailormade solutions available:
  - ▶ Pump dimensions can be adapted to customer requirements
  - ▶ Single or double inlet suction casing available
  - ▶ Discharge flanges available on intermediate stage casings
  - ▶ Drive from one or both shaft ends possible
- Closed impeller with spatially curved vanes
- Impeller fixed with fitting key





## Fields of Application

Handling of contaminated, chemically neutral or aggressive liquids with up to 10% solids.

- Main water drainage in mining
- Drainage and mine weather cooling in mining
- Pressure boosting systems in industrial processes
- Water supply and water treatment plants
- Condensate production
- Mineral industry
- Oil & Gas - Applications (handling formation water)

## Technical Data

<b>Pump Size:</b>	<b>DN 40 to DN 400</b> (1 1/2" to 16")
<b>max. Pressure:</b>	<b>160 bar (2300 PSI)</b>
<b>max. Flow:</b>	<b>3250 m<sup>3</sup>/h</b> (15000 gpm)
<b>Total head:</b>	<b>up to 1200 m (3940 ft)</b>
<b>Rotating Speed:</b>	<b>up to 3600 rpm</b>

## Materials

Available in almost any metal from cast iron to SUPER DUPLEX stainless steel.

The materials are carefully selected depending on the application, the pumped liquid and the combinations of materials adapted to the respective conditions of use.



### Bearings

Grease or oil-lubricated anti-friction bearings for long-life performance.

### Wear Rings

Replaceable rings in composite material to maintain best efficiency and reliability.

### Suction Casing

Advanced design for optimized inlet velocities.

### Impeller

Optimized design for specific speed. Cast in ceramic moulds for highest surface quality. High efficiencies achieved by different impeller sets for each pump size.

### Diffusor

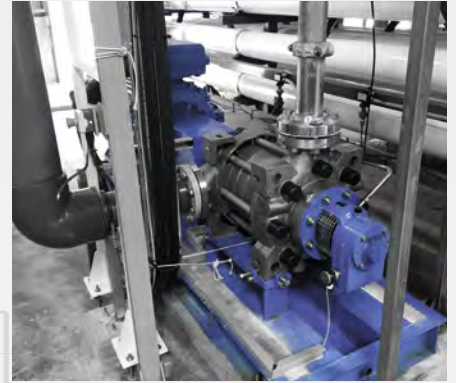
CFD optimized flow channels resulting in reduced impact losses.

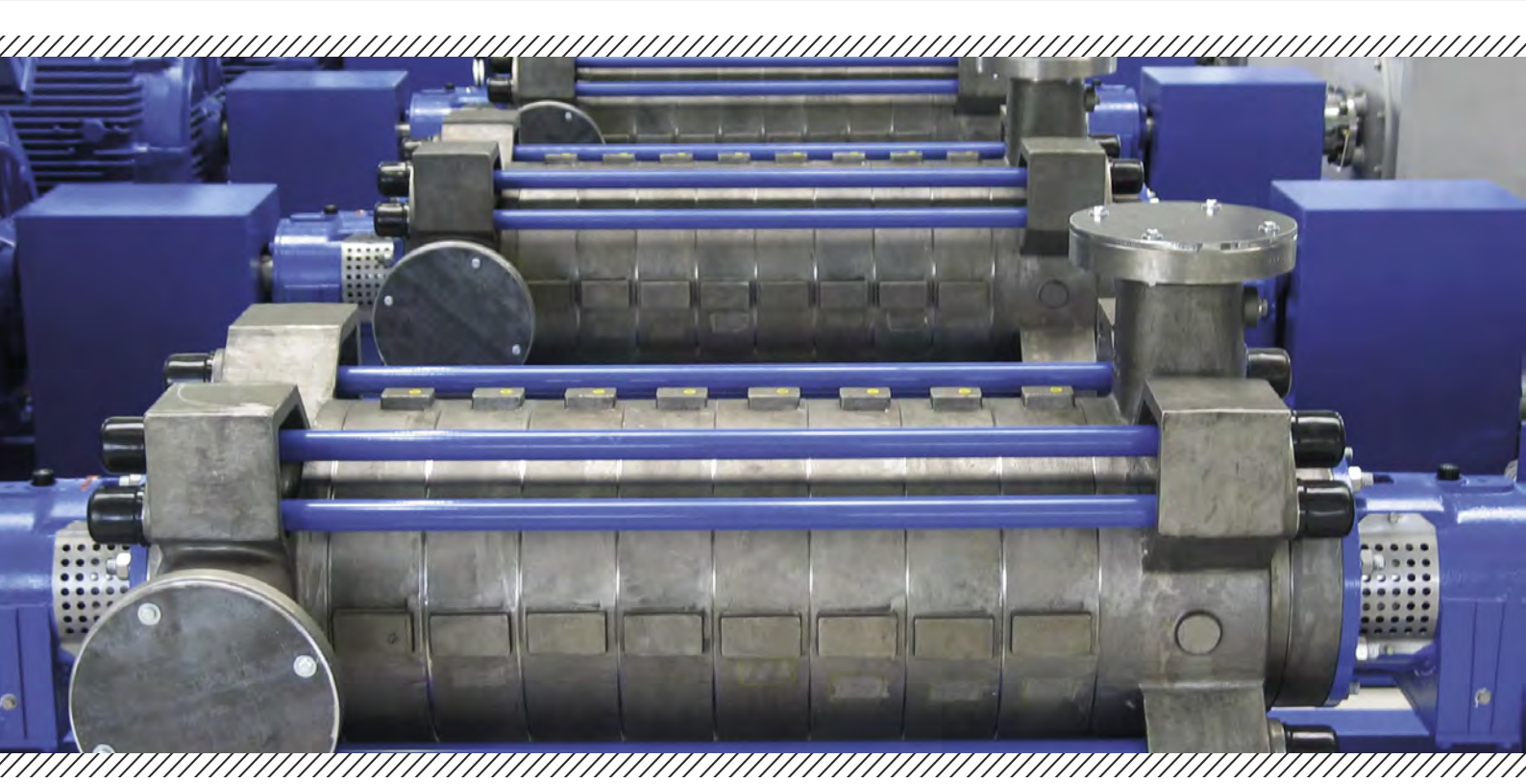
### Discharge Casing

CFD designed to achieve optimal discharge conditions.

### Balancing Device

Axial thrust compensation by balancing discs or piston.





## Tailormade Solutions

The pump solutions of DÜCHTING PUMPEN are adapted in their design and construction to meet the demanding needs of the market.

Besides the standard products DÜCHTING PUMPEN can offer a wide variety of different tailormade solutions.



Some examples are shown here, but there are many more possibilities.

**Just let us know how we can help you!**



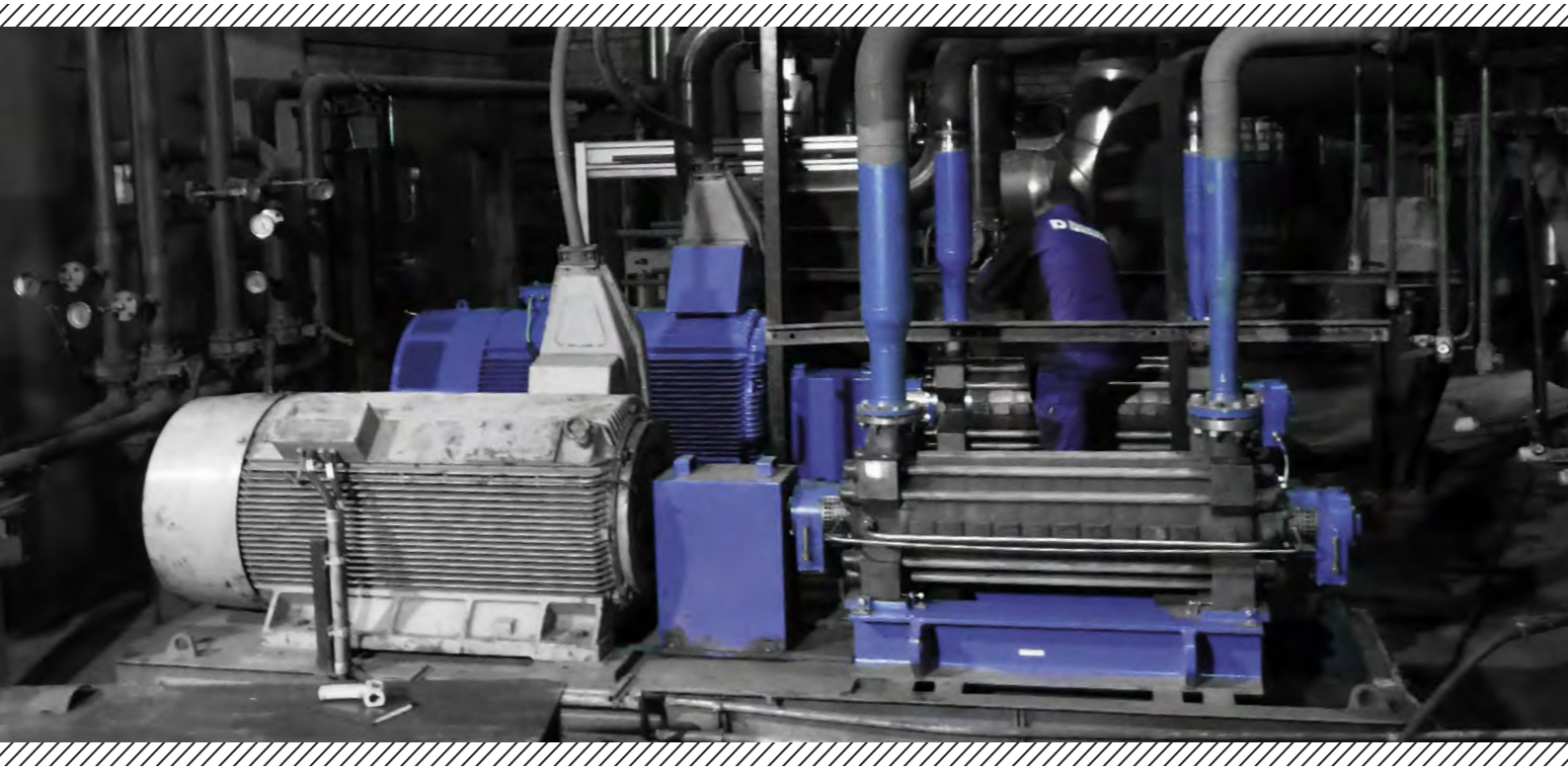
Two flanges in one suction casing

Intermediate flange at stage casing

Together with the pumps DÜCHTING PUMPEN can supply a wide range of accessories – from electrical motors to gear boxes, turbines, frequency converters up to complex instrumentation.



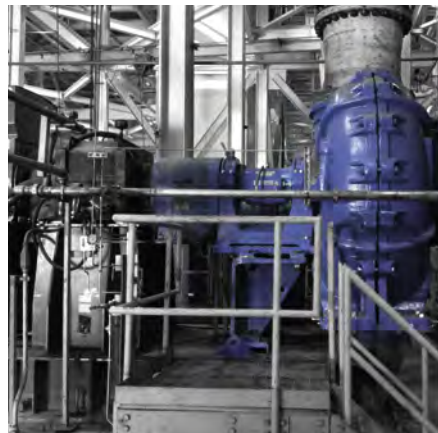
Two shaft ends



## Plug & Play

Beside tailormade solutions DÜCHTING PUMPEN offers retrofit designs.

These Plug & Play solutions can help the customers to find a solution for problematic or critical pumps in their plants.



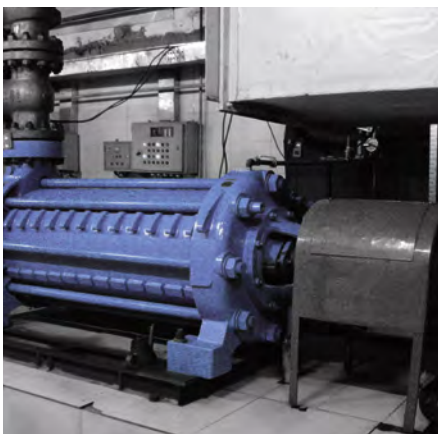
With a retrofit pump DÜCHTING PUMPEN delivers a product which can be installed in the existing footprint and can be put into operation easily.

DÜCHTING PUMPEN has designed a new retrofit pump series (MCCR) especially to replace absorber pumps in the FGD process.

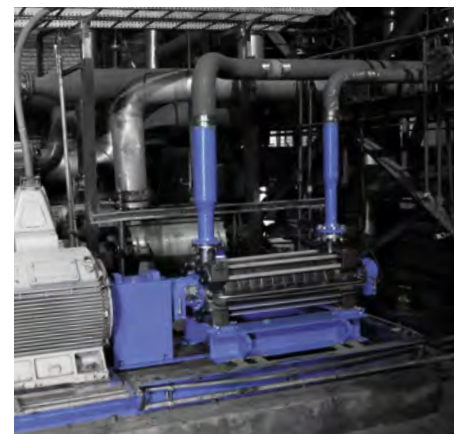
### Customer's installation dimensions (MCCR)

To reach the interchangeability DÜCHTING PUMPEN

- designs special/new hydraulics to reach the original duty point conditions
- adjusts the pumps to existing dimensions

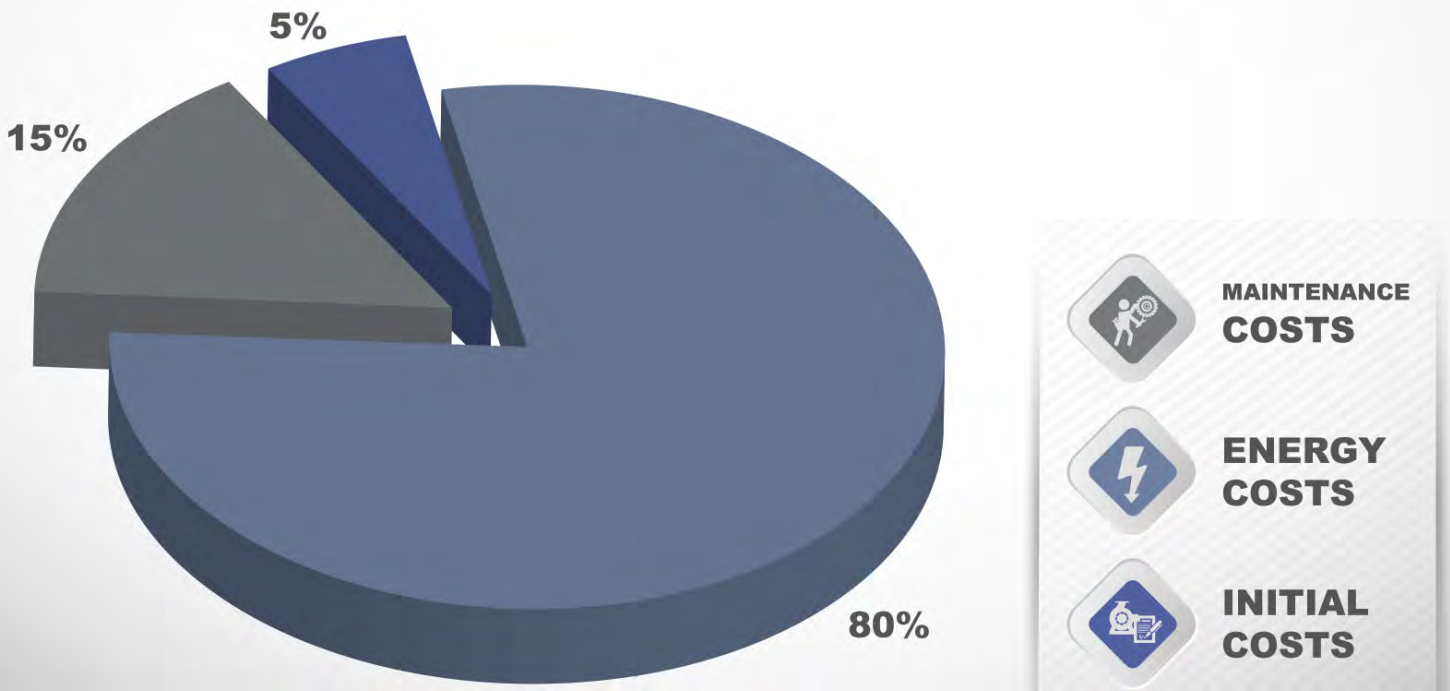


Adjustment feet



Adjustment reducers & retrofit base frame





## Life-Cycle-Costs

### Average life cycle costs for industrial pumps.

Evaluating the Life-Cycle-Costs will identify the most financially attractive alternative. The initial purchase price is a very small part of the life cycle cost for high usage pumps. Minimizing energy consumption and plant downtime have a big influence on the total Life-Cycle-Costs.

### Energy costs

DÜCHTING PUMPEN offers a wide range of impeller sets for high efficiencies.

- ▶ high efficiency leads to low energy costs

### Maintenance costs

Robust design leads to long lifetime of the pump parts.

- ▶ low wear leads to low maintenance work and costs

Easy accessible and changeable wear parts lead to short downtime for overhauls.

- ▶ short downtime leads to low maintenance costs





## Quality Assurance

To ensure highest quality, every pump is tested and certified on our test bed according to international standards.

DÜCHTING PUMPEN is able to provide extensive testing beside the standard performance tests. This includes tests like sound pressure, hydrostatic and vibration tests as well as string test of complete pump units.



## Try & Buy

To ensure that the pumps will work properly under the given conditions in the plant and to convince the customer, „Try & Buy pumps“ can be supplied.

Discuss with us if you are interested.

## In-house Test Bed

Continuously high quality of each single pump due to performance tests according to

- ISO 9906 standard
- Modern computer-aided test bed
- Capacity: up to 25,000 m<sup>3</sup>/h [110,000 gpm]
- Delivery Head: up to 2,200 m [7,200 ft]
- Electrical Power: up to 5,000 kW [6,700 hp]
- Witnessed inspection tests
- ISO 9001 certified since 1994



### CERTIFICATE OF APPROVAL

This is to certify that the Quality Management System of:

**DÜCHTING PUMPEN Maschinenfabrik GmbH & Co KG**  
 Wilhelm-Düchting-Str. 22, 58453 Witten  
 Germany

has been approved by Lloyd's Register Quality Assurance to the following Quality Management System Standards:

**DIN EN ISO 9001:2008**

The Quality Management System is applicable to:

**Design and manufacture of single- and multistage centrifugal pumps of metallic and non-metallic materials.**

Approval Certificate No: IR4: 922997

Original Approval: 03 February 1995

Current Certificate: 01 February 2016

Certificate Expiry: 14 September 2018

*Anna Reinhardt*

Issued by: Lloyd's Register Quality Assurance GmbH  
 For and on behalf of: Lloyd's Register Quality Assurance Limited



© Lloyd's Register Quality Assurance Limited 2016. All rights reserved. Lloyd's Register Quality Assurance Limited is a registered company in England and Wales, registered number 02070848. Lloyd's Register Quality Assurance Limited is a member of the Lloyd's Register Group of companies, which is a group of companies registered in England and Wales. Lloyd's Register Quality Assurance Limited is a member of the Lloyd's Register Group of companies, which is a group of companies registered in England and Wales. Lloyd's Register Quality Assurance Limited is a member of the Lloyd's Register Group of companies, which is a group of companies registered in England and Wales.





## Service & Spare Parts

With its service and spare parts department DÜCHTING PUMPEN offers the full range of after-sales-service.

With its own service technicians and several service partners worldwide DÜCHTING Service is everywhere and always available.

### Inhouse - Service

- Maintenance
- rebuild & repair
- damage analysis
- performance tests with vibration analysis
- site staff training
- and much more



Please contact us at:

+49 23 02 / 969 - 0

or send a message to [service@duechting.com](mailto:service@duechting.com)

### Site - Service

- Supervision
- Commissioning Assistance
- Laser Alignment
- Start-ups
- Revisions
- Troubleshooting
- Vibration & Condition Analysis
- Flow Rate Measuring
- Repairs
- Mechanical Seal Exchange
- whole pump rebuild and repair
- Training at site
- and much more



### DPNA - DÜCHTING PUMPS North America LP

DPNA was founded in 2010 as DÜCHTING's first satellite sales office to focus on the US and Canadian FGD, mining, sea water desalination, and industrial markets. DPNA has been very successful in these markets and as a result has added an additional sales office, a service partner and manufacturers' representatives in key geographic locations.

DPNA works closely with the factory but these capabilities, combined with DPNA's Sales Engineers' education and extensive industry and hands-on experience, allow us to offer responsive sales support as well as technical and field service support.

DÜCHTING PUMPS North America exists to give our customers DÜCHTING's world-class technology with the best US-based customer support available. Please contact us to find out how we can support you.

### DPSA - DÜCHTING PUMPS South América

DPSA, our office for the South American market was established in response to customer needs for appropriate technical and commercial on-site-support for consumers, retailers, designers and consultancies in the region. In response to the growing demands for technical information, new technologies and highly reliable products in the field of desalination of sea water - mining and civil water pipes for power plants (FGD).

We see that the available technologies and a wide range of references, are an optimal starting point for DPSA.

We provide the best deals on very suitable and efficient solutions for your projects. We share the best technical and economic information and find the optimal solution.

Contact us and we will find out how we can support you.

### DPRU - DÜCHTING насосы Russia & CIS

DPRU is a direct sales channel started in 2013, for the „on-site assistance“ and direct customer contact in Russia and the CIS. Placed in the second largest city of Russia, Saint-Petersburg, the sales team is focused on the areas of REA, mining, desalination and industrial applications. Many years of market-experience in the areas of sales, marketing and customer acquisition draw our employees in the cross-market and business.

DPRU exists in order to provide its world-class technology combined with the best Russian customer support DÜCHTING can provide.

Please contact us to find out how we can support you.

#### Representatives

Service points - whether by partners or on their own - are and will continue to be set up.

**Find a list of our partner online.**



## HABERMANN Suction Dredger by DÜCHTING

We develop and manufacture suction dredgers in different sizes as well as the necessary accessories. Numerous services complete the suction dredger offer. In addition to the classic types of suction dredgers, we also develop and sell special designs.



### The concept behind the new products

Habermann has been committed to the development and production of suction dredgers at a high technical level for decades.

DÜCHTING will not only keep the proven product quality under the new name, but our engineering expertise will further more advance the suction dredger technology.



### Better service through international network

Current and future customers benefit from the international DÜCHTING network.

Partners in over 50 countries are now successively trained in the Suction Dredger Technologie to ensure future installation- and maintenance-service, and simplified communication with the engineering specialists at the German headquarters.

### Detailed Information

Learn more about our newest products under [habermann-sucton-dredgers.com](http://habermann-sucton-dredgers.com)

### Complete data transmission

Particular emphasis was placed on the transfer of knowledge.

It is always possible to fall back on the entire know-how of Habermann Mineral Systems, including all manufacturing drawings, spare parts lists and circuit diagrams, and therefore guarantees our customers smooth support.

